



# GenSet

**MGF 16 Y**  
Max Power 16 kVA



## Engine Yanmar 3TNV88

Type	Diesel, 4 Stroke
Cooling system	Water cooled
Cylinders	3
Displacement (c.c. - cu.in)	1642 - 100
Engine output (hp)	18,4
RPM	1500
Injection system	Direct
Governor	Mechanical
Lubrication system	Forced
Oil sump capacity (L - gal)	6,7 - 1,8
Stop system	Solenoid
Fuel tank capacity (L - gal)	40 - 10,5
Autonomy 3/4 load (h)	16
Starter battery (Ah-V)	80 - 12
Battery charger (Ah-V)	15 - 12
Starter motor (kW-V)	1,4 / 12

## Soundproof cabin

- With frame and openable hoods made of steel panels and epoxidic paint.

## Engine

- Easy access in case of maintenance to the feeding system, lubrication system and air filter.
- Safety stop in case of low oil pressure.
- Safety stop in case of high water temperature.
- Oil and fuel filters are easily accessible and easily replaceable.
- Water cooled engine with radiator.

## Control panel

- The **GenSet** control panel for manual starting and stopping has been designed and built to combine all the control instruments and warning lights and protections both for the engine and the generator.
- Control panel is made of painted steel plate and include the following main equipment:
  - Voltmeter • 4-pole circuit breaker and earth fault device • 3-pole magnetothermal switch 16A • 1-pole magnetothermal switch • Electronic device for automatic shutdown of the engine in case of HWT and LOP • Emergency stop pushbutton • Ignition key • Warning light for high cooling water temperature and low oil pressure • Hourmeter
  - Socket 32A 400V 3P+N+G • Socket 16A 400V 3P+G
  - N°2 Socket 2P+G 230V 16A

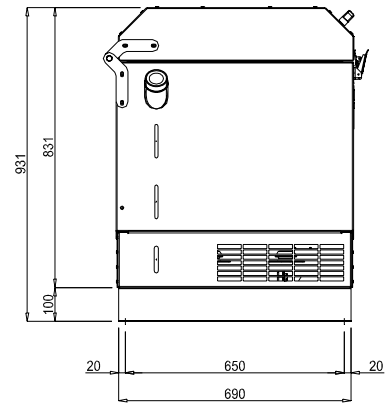
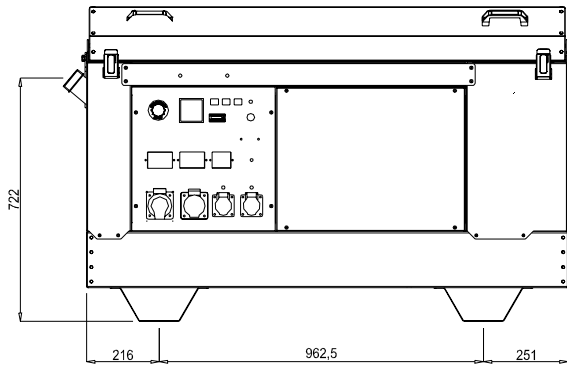
## Generator

- Synchronous, 4 poles, self-excited
- Rotor and stator epoxidic resin coated against environmental agents.
- Rotor dynamically balanced.
- Insulation class H.

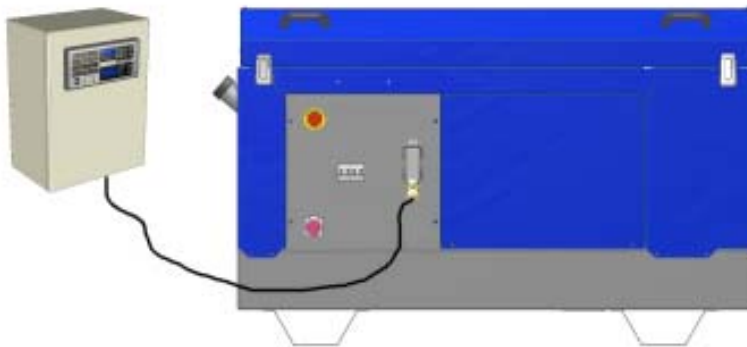
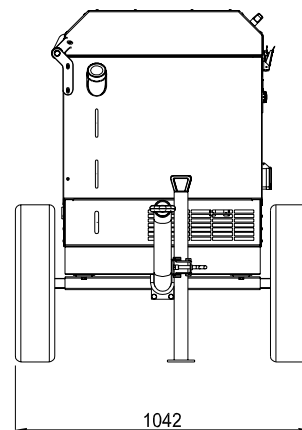
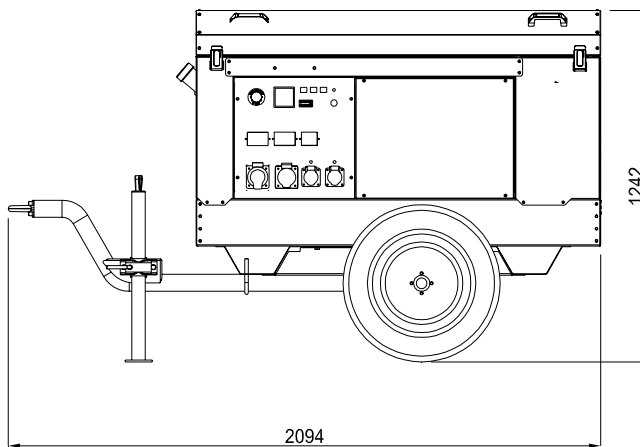
## Generator

Type	Synchronous, 4 poles, selfexcited
Regulation	Compound
Voltage (V)	400 / 230
Frequency (Hz)	50
<b>3-Phase data</b>	400 V
Max. output	16 kVA
Cont.output	15 kVA
Power factor (cos $\phi$ )	0,8
<b>Single-Phase data</b>	230 V
Max. output	11 kVA
Power factor (cos $\phi$ )	1
Insulation class	H
Voltage stability	$\pm 10\%$
Frequency stability	$\pm 5\%$

## STANDARD version



## FIXED TOW version



	MGF 16 BA	MGF 16 TF	
Length	1429,5 - 56,2	2094 - 82,5	mm - in
Width	690 - 27	1042 - 41	mm - in
Height	931 - 36,5	1242 - 49	mm - in
Weight	470 - 1036	500 - 1102	kg - lbs
<b>Noise power level 96 LwA</b>			

## OPTIONALS: SITE TOW VERSION

*This drawing is only a reference and is not indicatly for the installation.  
For more information, you may contact your local dealer or **GenSet** generators S.p.A.*

*GenSet generators S.p.A. reserves the right to change the design or specifications without notice and without any obligations or liability whatsoever  
For more information, you may contact your local **GenSet** dealer.*

Dealer:



**GEN SET S.P.A. - 27030 VILLANOVA D'ARDENGI  
(PV) - ITALY - VIA STAZIONE, 5**  
TEL.: (+39)0382-5091 • FAX: (+39)0382-509-244  
• EMAIL: [GENSET@GENSET.IT](mailto:GENSET@GENSET.IT)