

GenSet



MGK 15000

MANUAL NUMBER
MI-G-00003500

REVISION LEVEL 00
16-01-2008

GB GENERATING SET
USE AND MAINTENANCE MANUAL

GEN SET S.p.a.

Via Stazione,5 - 27030 Villanova D' Ardenghi (Pavia) Italy
Tel. (+39) 0382-5091 - Fax (+39) 0382-509-244
E-mail: genset@genset.it - internet: [//www.genset.it](http://www.genset.it)

05.1 GENERATOR

Type	Synchronous
Single phase power (Stand-by Power)	15 kVA - 240 V (according to DIN 6271)
Single phase power (Prime Power)	13,5 kVA - 240 V (according to DIN 6271)
Single phase power (Stand-by Power)	15 kVA - 110 V (according to DIN 6271)
Single phase power (Prime Power)	13,5 kVA - 110 V (according to DIN 6271)
Frequency	50 Hz
Power factor	0,8
Insulation class	H
Degree of protection	IP 23

Prime power: 10% overload permitted for 1 hour every 12 hours

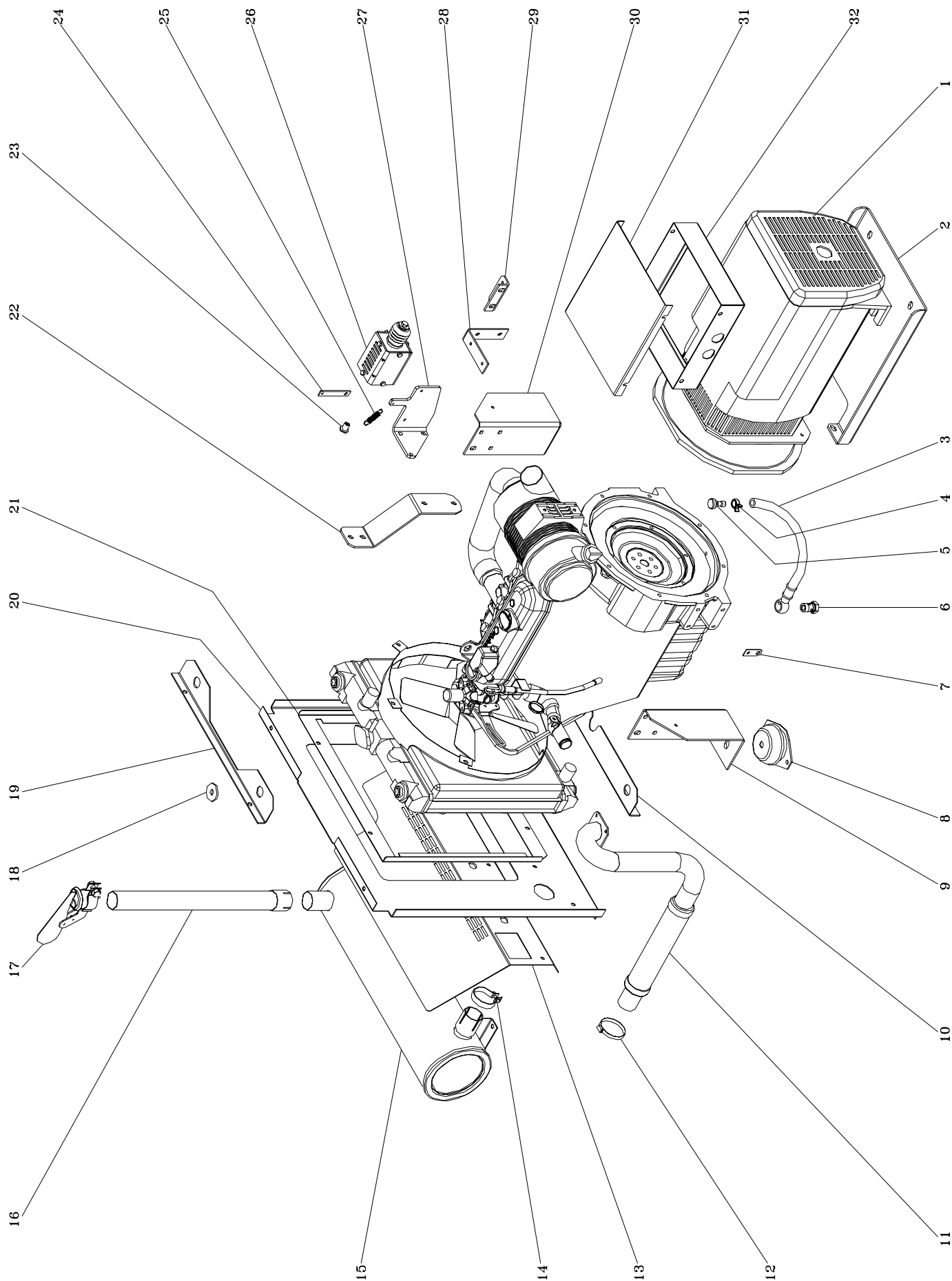
Standby power: no overload permitted

05.2 ENGINE

Engine type	Kubota D 1105-E2B
Number of cylinders	3
Displacement	1123 cm ³
Power (emergency service)	24,6 hp (18,1 kWm)
Engine speed	1500 rpm
Cooling system	Water
Fuel type	Diesel
Oil tank capacity	5,11
Starting system	Electric
Consumption per hour (at 75% of continuous service)	4,9 l/h

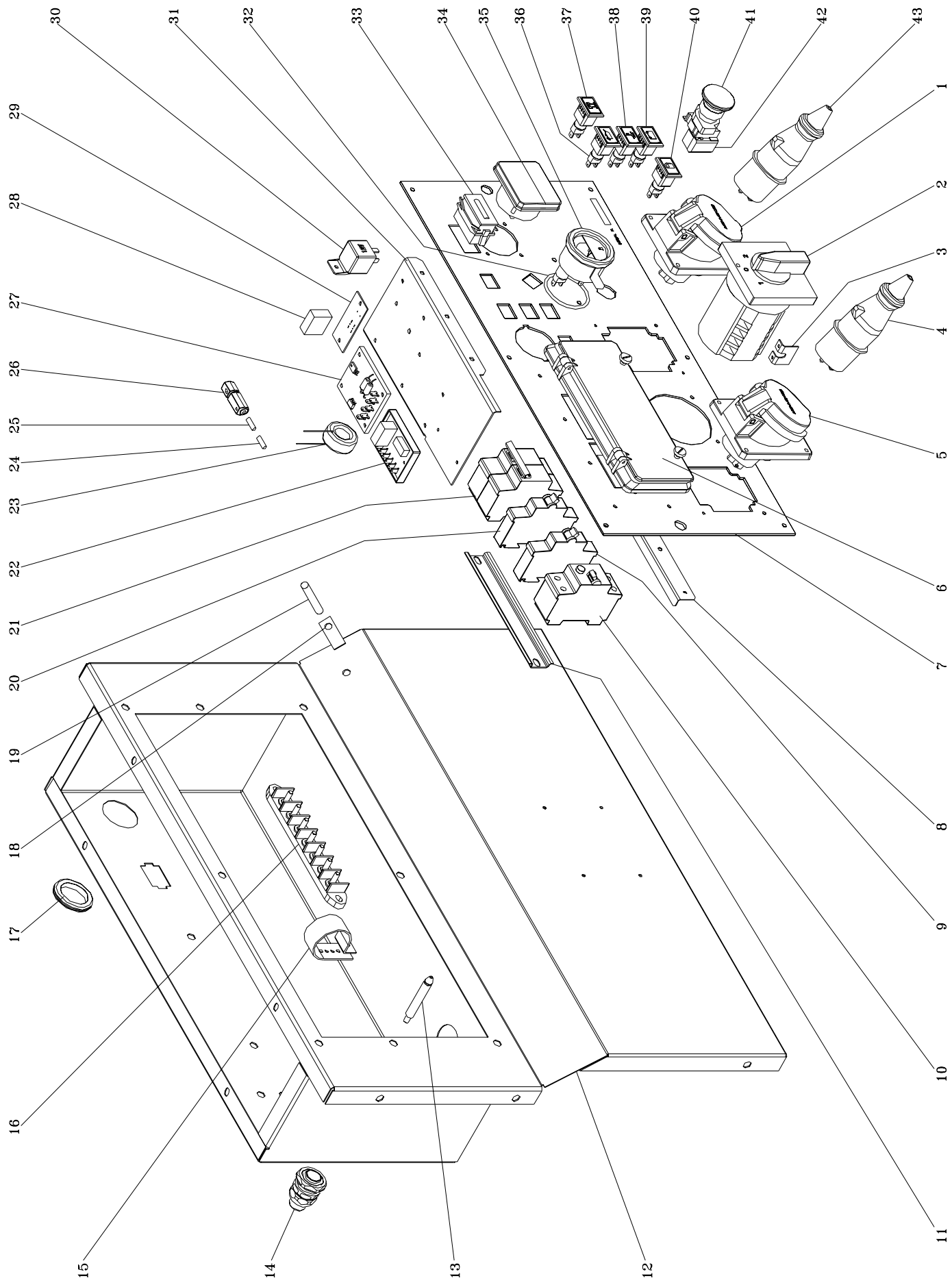
05.3 GENERAL SPECIFICATIONS

Noise power emission level	L _{wa} 94
Battery	12 V - 44 Ah
Fuel tank capacity	47 l
Operating range at 75% of continuous service power	10 h ~
Dry weight	410 Kg
Weight	460 Kg
Dimensions (L x W x H)	1500 x 700 x 1090



List of spare part codes

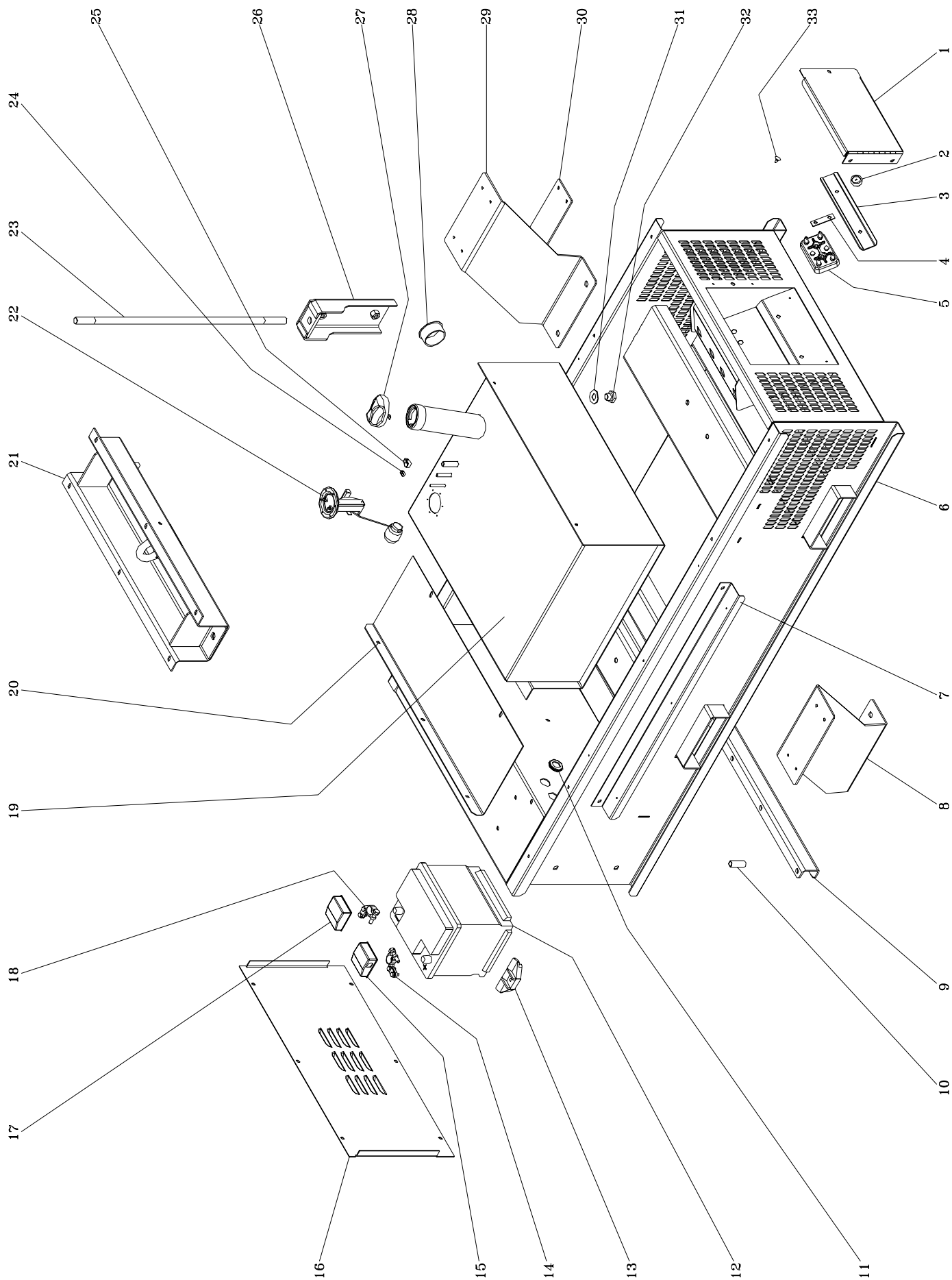
No.	DESCRIPTION	SPARE PART CODE
1	Linz alternator	140407
2	Alternator support	139019
3	Oil drain pipe	115600
4	Double pipe clamp	117466
5	Oil drain pipe cap	117221
6	Perforated screw	115601
7	Cables support	132353
8	T3 schock absorber	6048/A
9	Engine left support	136266/SX
10	Radiator inferior support	139008
11	Flexible	136477/R
12	Clamp DIN3017	4242
13	Conveyor	139014/R
14	Clamp D.45	135958
15	Silencer	136469
16	Silencer terminal	136470
17	Flap D.43	2486
18	Radiator spacer	140607
19	Radiator top support	139010
20	Radiator separator	139011
21	Radiator frame	139007
22	Air filter support	139107
23	Head for solenoid	117079
24	Plate for spring	132326
25	Spring	4918
26	Solenoid	102077/V
27	Solenoid support	117049
28	Electric pump support	137390
29	Fuel filter support	137391
30	Engine right support	136266/DX
31	Alternator box cover	139021
32	Alternator box	139020



List of spare part codes

No.	DESCRIPTION	SPARE PART CODE
1	110 V 32 A welding socket	4121
2	Output selector	112939
3	U bolt for selector	120054
4	240 V 32 A plug	4082
5	240 V 32 A welding socket	4061
6	12 module transparent cover	135268
7	Aluminium front plate	140465
8	Circuit breakers spacer	135892
9	1 pole 32 A circuit breaker	3311
10	2 poles 63 A earth leakage circuit breaker	107409
11	L.180 omega profile	5828/180
12	Frontal box	139027/R
13	Pin for frontal door	136328
14	PG21 wire holder	100483/1
15	Capacitor clamp	108780
16	7 poles terminal board	131585
17	D.50 rubber wire holder	114763
18	Earth clamp plate	3269
19	Earth clamp	102550
20	1 pole 50 A circuit breaker	9368
21	2 poles 100 A circuit breaker	115453
22	GS0007 electronic panel	121004
23	Souped up wound toroid	114468
24	8 A fuse	8801
25	5 A fuse	120132
26	Fuse holder	3152
27	GS9813 electronic panel	116978
28	110 V relay	100737
29	110 V relay plate	100694
30	12 V relay	6306
31	Electronic panels support	140453
32	O-ring	118183

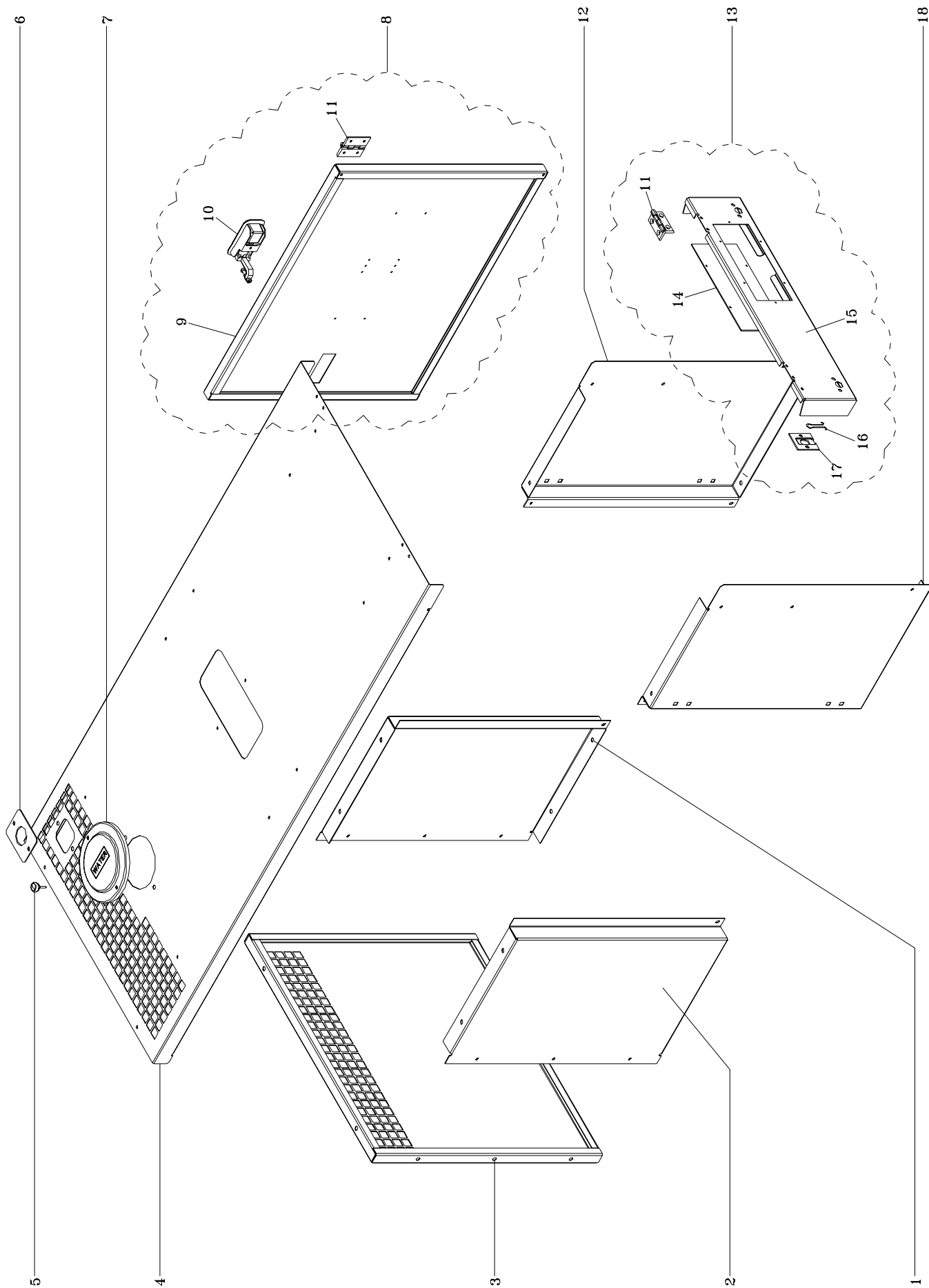
No.	DESCRIPTION	SPARE PART CODE
33	Hour meter	102590
34	Voltmeter	1026
35	Fuel level gauge	6518
36	Oil pressure alarm lamp	4888/O
37	Glow plug alarm lamp	9454
38	Water temperature alarm lamp	4888/A
39	Battery charge alarm lamp	4889
40	Fuel reserve alarm lamp	4887
41	Emergency stop button	100476
42	Red auxiliary contact	4395
43	110 V 32 A plug	4072



List of spare part codes

No.	DESCRIPTION	SPARE PART CODE
1	Output door	136466
2	Knob	117551
3	Cables clamp	136463
4	Terminal board bridge	136732
5	4 poles terminal board	136715
6	Basement	140364/R
7	Door striker plate	139025
8	Left fender support	136969/SX
9	Front clamp plate	137241/1
10	Spacer	137241/2
11	Rubber wire holder DC21	101523
12	Battery	116187
13	Battery clamp	133064
14	Battery positive clamp	4351
15	Positive clamp cover	109606/R
16	Battery door	136267
17	Negative clamp cover	109606/B
18	Battery negative clamp	4352
19	Fuel tank	139012
20	Basement root	136268/R
21	Lifting cross member	136384
22	Fuel level float	136370
23	Lifting tie rod	136458
24	Clamp	4280
25	DIN3017 clamp	5440
26	Lifting tie rod support	136380
27	Fuel tank cap	116183
28	Cap D.53	116658
29	Right fender support	136969/DX
30	Fender reinforcement	137240

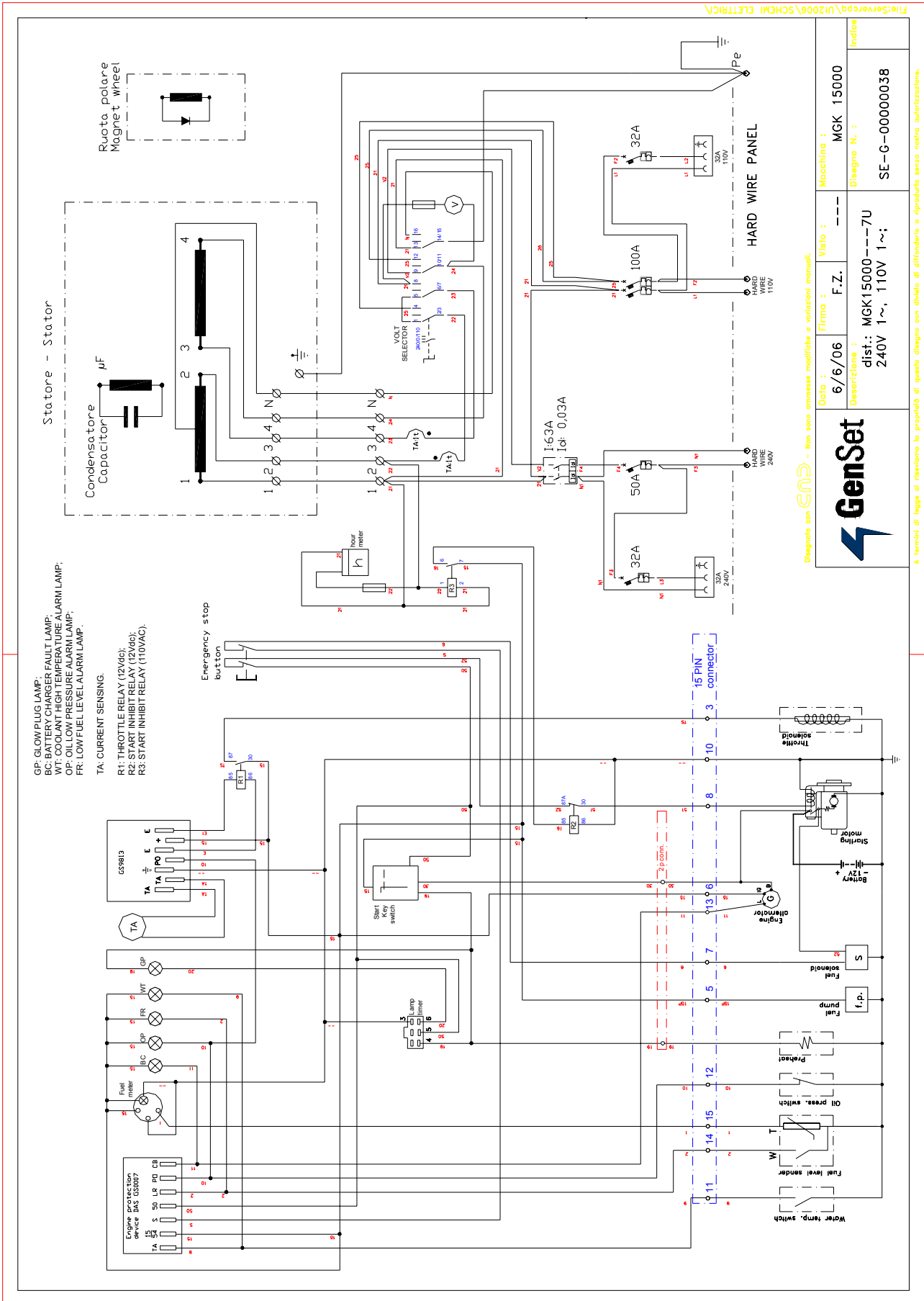
No.	DESCRIPTION	SPARE PART CODE
31	Ring	4867
32	Fuel tank drain cap	4866
33	Bumper	9399



List of spare part codes

No.	DESCRIPTION	SPARE PART CODE
1	Back right panel	136420/DX/R
2	Back left panel	136420/SX/R
3	Back panel	136427/R
4	Top canopy	139030/R
5	Black knob	115119
6	Terminal silencer plate	135838/1
7	Radiator cap cover	129868/A
8	Complete lateral door	139162/R
9	Lateral door	139162
10	Handle	136205
11	Zama hinge	136206
12	Front right panel	139024/DX/R
13	Complete frontal door	140449/R
14	Lexan for frontal door	140450
15	Frontal door	140449
16	Spring for door	5365
17	Plate for spring	5366
18	Front left panel	139024/SX/R

11.1 ELECTRICAL DIAGRAM



File:Server\cp\U2008\SCHEM\ ELECTRICAL

Disegnato con **CAD** - Non sono ammesse modifiche o variazioni manuali.

GenSet	Data : 6/6/06	Firma : F.Z.	Macchina : MGK 15000
			Disegno N. : SE-G-00000038
			Descrizione : MGK15000---7U 240V 1~, 110V 1~;

A termini di legge si riservano la proprietà di questo disegno con diritto di diffondere o riprodurre senza nostro autorizzazione.