

GenSet



MG 6 SS-Y

MANUAL NUMBER
MI-G-00001900

REVISION LEVEL 00
17-09-2007

GB GENERATING SET
USE AND MAINTENANCE MANUAL



GEN SET S.p.a.

Via Stazione,5 - 27030 Villanova D' Ardenghi (Pavia) Italy
Tel. (+39) 0382-5091 - Fax (+39) 0382-509-244
E-mail: genset@genset.it - internet: //www.genset.it

05.1 GENERATOR

Type	Synchronous
Single phase power (Standby Power)	6 kVA - 240/110 V (according to DIN 6271)
Single phase power (Prime Power)	5,4 kVA - 240/110 V (according to DIN 6271)
Frequency	50 Hz
Power factor	0,8
Insulation class	H
Degree of protection	IP 23

Prime power: 10% overload permitted for 1 hour every 12 hours

Standby power: no overload permitted

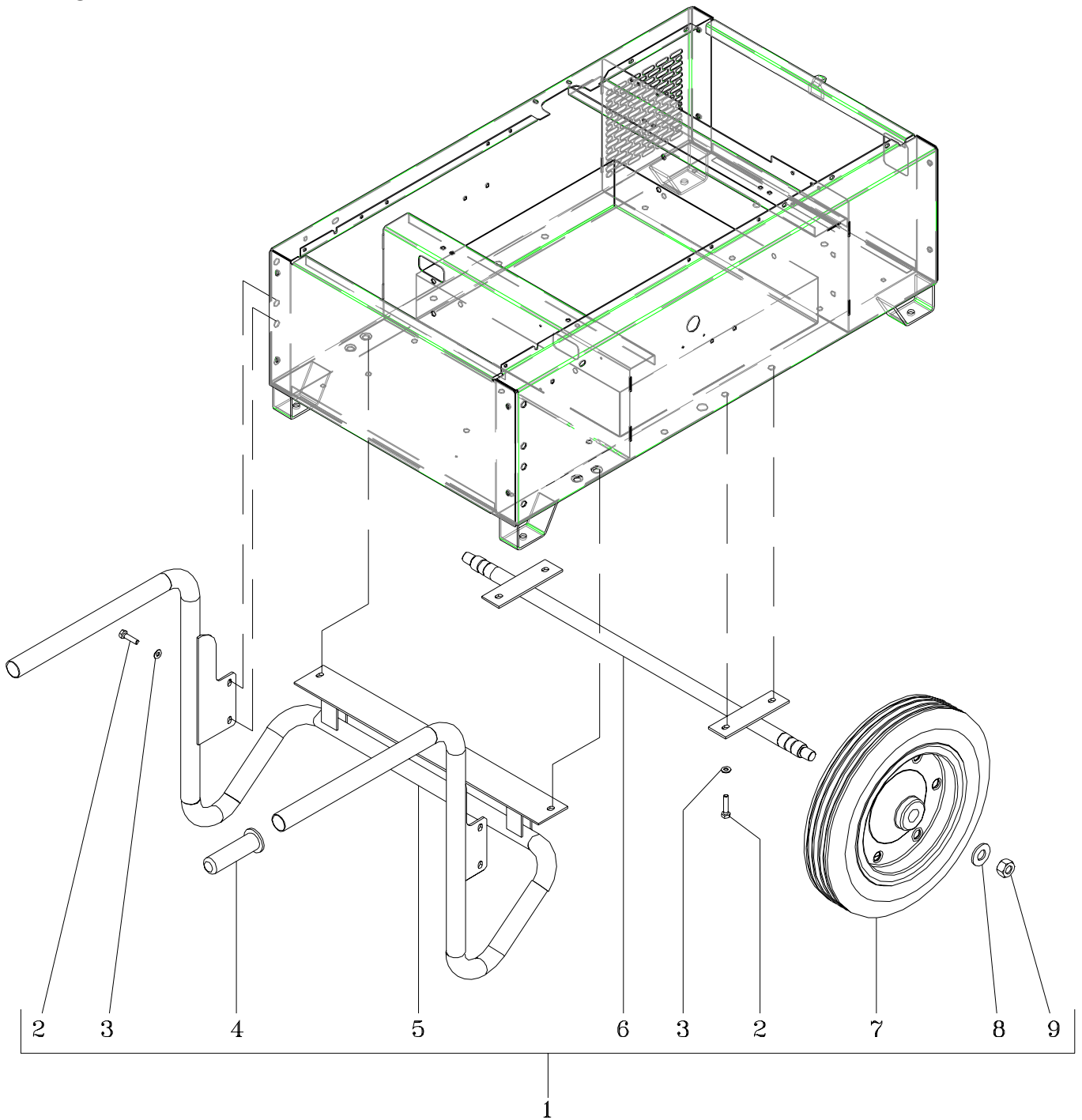
05.2 ENGINE

Engine type	Yanmar L100AE
Number of cylinders	1
Displacement	406 cm ³
Power (emergency service)	8,8 hp (6,5 kWm)
Engine speed	3000 rpm
Cooling system	Air
Fuel type	Diesel
Oil tank capacity	1,65 l
Starting system	Electric
Consumption per hour (at 75% of continuous service)	1,7 l/h

05.3 GENERAL SPECIFICATIONS

Noise power emission level	L _{wa} 92
Battery	12 V - 44 Ah
Fuel tank capacity	21 l
Bounded tank capacity	26 l
Operating range at 75% of continuous service power	13 h ~
Dry weight	210 Kg
Dimensions (L x W x H)	1100 x 600 x 830

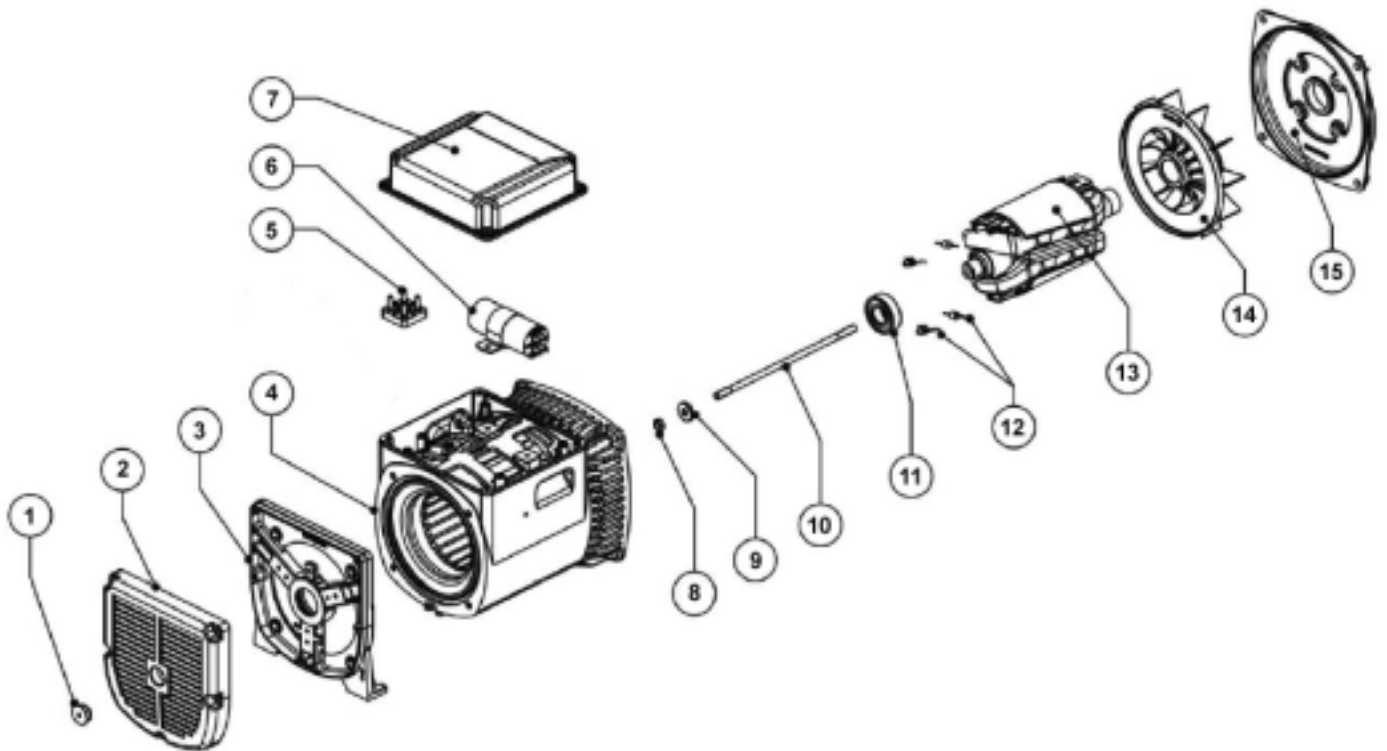
11.1 TROLLEY



List of spare part codes

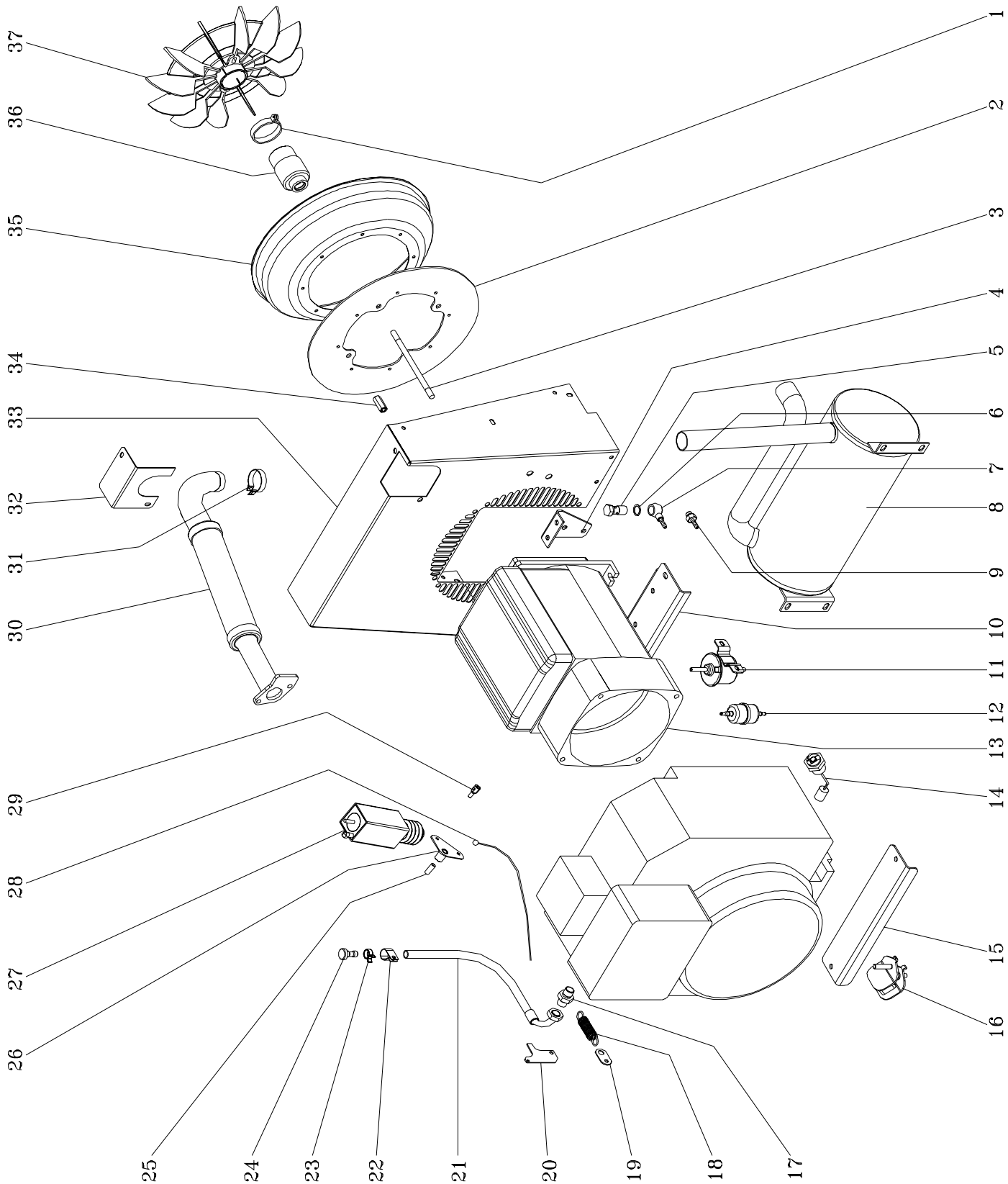
No.	DESCRIPTION	SPARE PART CODE
1	Trolley complete	1400/YSP
2	M8x25 screw	VT57370825N
3	M8 flat washer	VT659208N
4	Handle grip	127138
5	Handle complete	138391

No.	DESCRIPTION	SPARE PART CODE
6	Axle	138419
7	D.390 wheel	109435
8	M18 flat washer	VT659218N
9	M18 stop nut	VT572118N



List of spare part codes

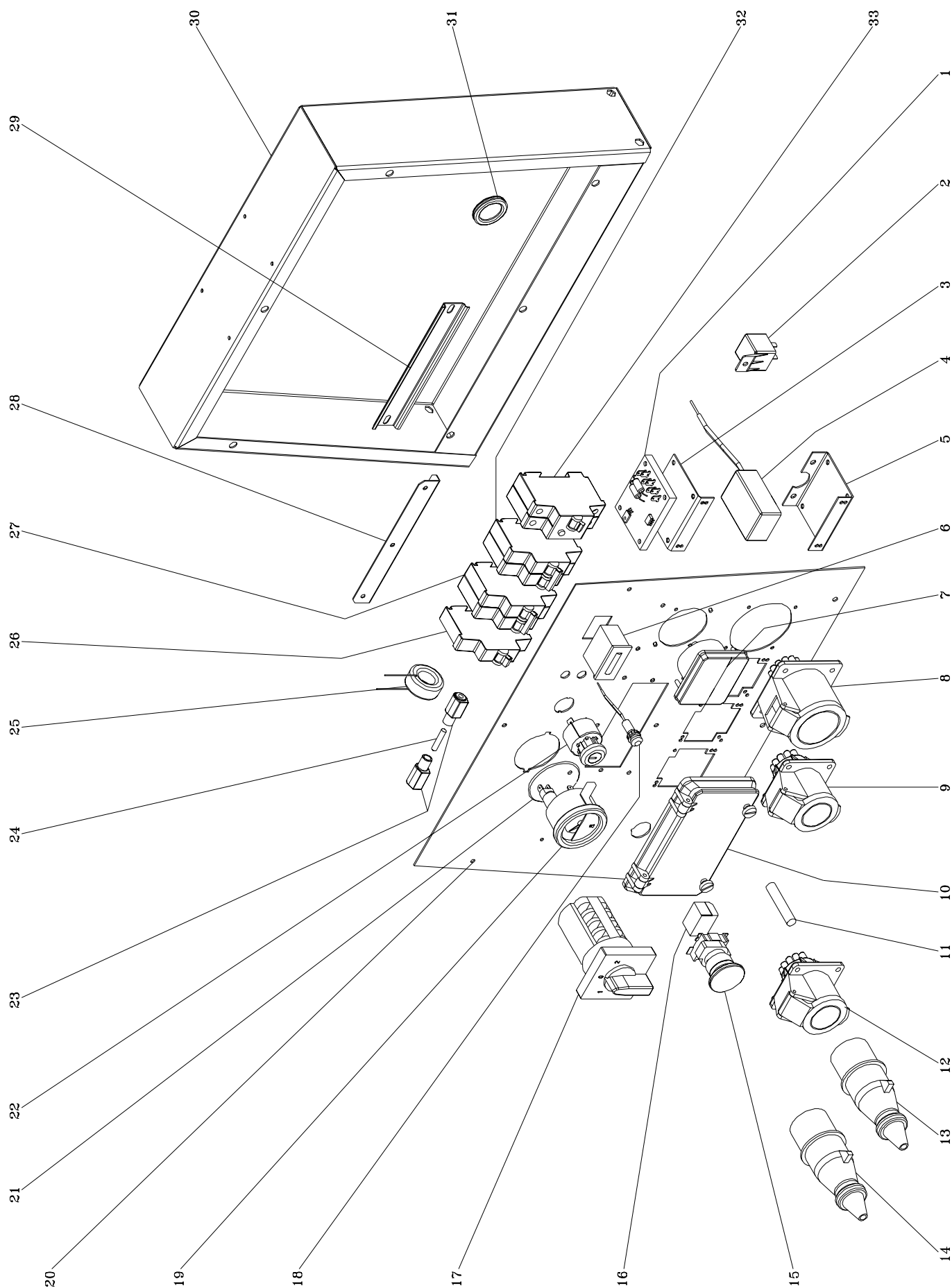
No.	DESCRIPTION	SPARE PART CODE
1	Rear plug	E10KA010A
2	Rear cover	E10KA007C
3	Rear shield	E10SE007A
4	Frame with stator	E10CA031AE1
5	4 stud terminal board	E10KA012A
6	Capacitor	-----
7	Short shaft top cover	E10BT005B
8	Nut	-----
9	Rondelle	-----
10	Central tie rod	-----
11	Rear bearing	EX411434320
12	Cabled diode and varistors	EX541201006C
13	Rotor	-----
14	Fan	E10VE000B
15	Front shield	E10SB003B



List of spare part codes

No.	DESCRIPTION	SPARE PART CODE
1	Fan impeller clamp	121632
2	Fan housing gasket support	132737
3	L.300 M.8 tie rod	133882
4	Fuel filter support	134227
5	Perforated screw	4833
6	Copper gasket	4841
7	Banjo fitting	4832
8	Muffle	138089
9	Barded fitting	127952
10	Alternator support	134297
11	Electric pump	-----
12	Fuel filter	3421
13	Linz E1C10MH alternator	132739
14	Mc Cooney oil level kit	138232
15	Engine support	134669
16	Schock absorber	135025
17	M16x1,5 nipple	125337
18	Accelerator spring	2786
19	Spring plate	136186
20	Accelerator spring support	133246
21	Oil drain pipe	135709
22	D.20 clamp	108501
23	Double pipe clamp	117466
24	Oil drain pipe cap	117221
25	Lever guide	138396
26	Electromagnet lever	138395
27	50x50x100 electromagnet	2771
28	Electromagnet lever cable	4118
29	Cable clamp	138397
30	Flexible pipe	137604/R
31	D.38 pipe clamp	139609

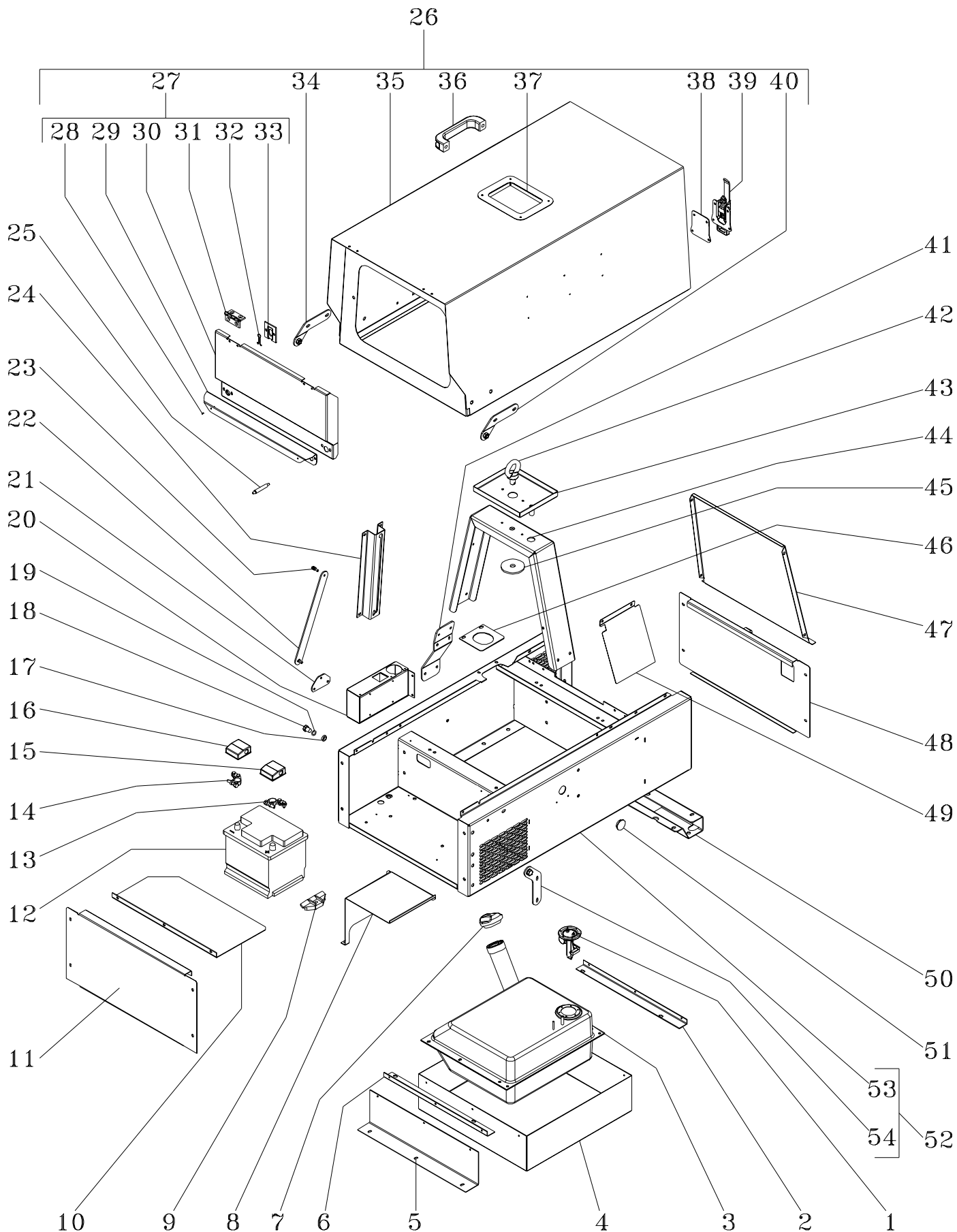
No.	DESCRIPTION	SPARE PART CODE
32	Bulkhead fastening plate	137602
33	Sheet metal bulkhead	137250/R
34	M8x30 stud bolt	136009
35	Fan housing	133695
36	Fan impeller hub	132937
37	Fan impeller	132358



List of spare part codes

No.	DESCRIPTION	SPARE PART CODE
1	GS9813 electronic panel	116978
2	12 V relay	6306
3	Oil monitor bottom support	138618
4	Mc Coeey oil level kit	138232
5	Oil monitor top support	138617
6	Hour meter	130147
7	300 V voltmeter	1026
8	110 V 32 A welding socket	3613
9	110 V 16 A welding socket	1838
10	8 module transparent cover	135267
11	8x50 brass tie rod	110711
12	240 V 16 A welding socket	1836
13	110 V 32 A plug	4072
14	110 V 16 A plug	3220
15	Emergency stop pushbutton	100476
16	Red auxiliary contact	4395
17	Voltmetric switch	108827
18	24 V red indicator lamp	8396
19	Fuel level indicator	6518
20	Screen printed overlay	135122
21	155-50 gasket	118183
22	Start key	1081
23	Fuse holder	107822
24	5 A fuse	120132
25	Souped up wound toroid	114468
26	1 pole 16 A thermal circuit breaker	1428
27	2 pole 16 A thermal circuit breaker	108789
28	Spacer for 8 module thermal breakers	135318
29	L.140 omega profile	5828/140
30	Front box	138304/R

No.	DESCRIPTION	SPARE PART CODE
30	DC21 rubber wire holder	101523
31	2 pole 25 A thermal circuit breakeri	108828
32	2 pole 25 A earth leakage circuit breaker	2101



List of spare part codes

No.	DESCRIPTION	SPARE PART CODE
1	Fuel level float	131964
2	Tank support left	138738/SX
3	Tank	134225
4	Bund tank	138540
5	Bund tank support	138560
6	Tank support right	138738/DX
7	Tank cap	134957
8	Intake pocket	137249/R
9	Battery lock	133064
10	Battery plate	138758/R
11	Base front cover	138381/R
12	44 Ah battery	116187
13	Positive terminal	4351
14	Negative terminal	4352
15	Blue terminal cover	109606/B
16	Red terminal cover	109606/R
17	Spacer	134111
18	Hinge pin	134107
19	D. 10,5x21 washer	134110
20	Intake box	139714
21	Stiffener	135309
22	Cover safety rod	135308
23	Safety rod top pin	135507
24	Cover safety rod rail	136473
25	Shutter lock pin	8191/2
26	Protective cover - complete	137255/R
27	Cover-complete	138400/R
28	Buffer	5688
29	Handle	138537
30	Cover	138400

No.	DESCRIPTION	SPARE PART CODE
31	Hinge	136206
32	Cover spring	5365
33	Spring plate	5366
34	Left hinge bracket	136491/SX
35	Canopy	137255
36	Handle	104097
37	Containment cloth	138434
38	Lock stiffener	119564/4
39	Lock	117783
40	Right hinge bracket	136491/DX
41	Lifting arc bracket	138518
42	M16 lifting eye	134944
43	Lifting eye tray	138426
44	Lifting eye	138529
45	Lifting eye stiffenere	135119
46	Filler pipe prop plate	134664
47	Slanting baffle	137251/R
48	Base rear panel	138383/R
49	Air baffle	138090
50	Bearing base	139652
51	Cap D.30	118575
52	Skid base-complete	137247/R
53	Skid base	137247
54	Half hinge	137464

12.2 FRONT PANEL CABLES (spare part code 138655)

FRONTALE

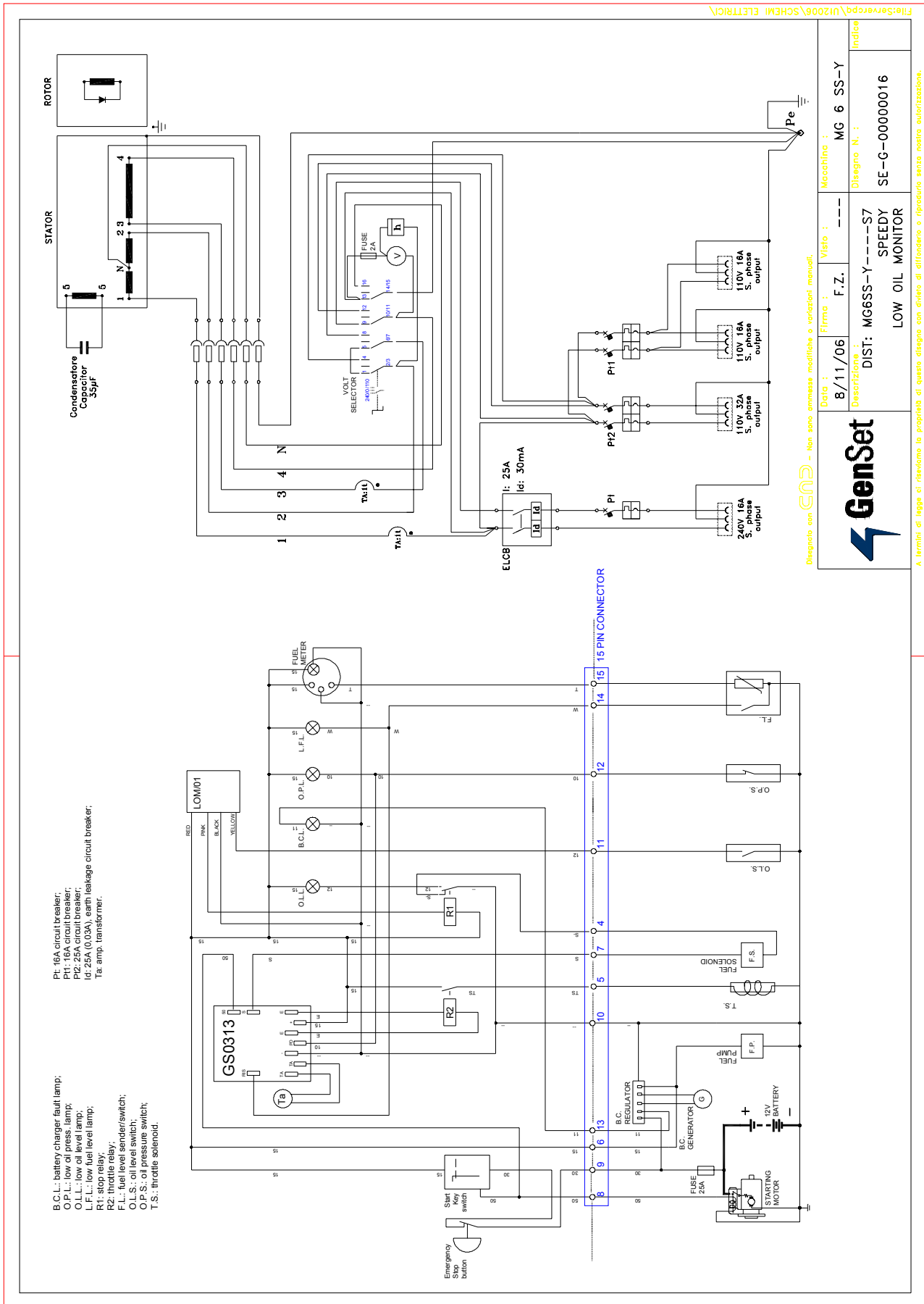
TAV. 1 / 2

Disegnato con - Non sono ammesse modifiche o variazioni manuali.
 Le pieghe combacianti devono essere fissate con saldatura

Caratteristiche:	Macchina:	Scalo:	Data:	Firma:	Visto:
			19/12/06	F.A.	
Tolleranze Generali					
Pressofusione: Js 11					
Controingiall: J13					
Geni fusi o lavorati: +0,5%					
Descrizione:		Sp.:		Gruppo:	
CAVI MACCHINA		SP. 3		PREM.	
Disegno N.:		138655/1		Indice	
				0	

A. Termini di legge di rilevare la proprietà di questo disegno con divieto di diffonderlo o riprodurlo senza nostra autorizzazione.

13.1 ELECTRICAL DIAGRAM



Disegnato con - Non sono ammesse modifiche o variazioni manuali.

GenSet	Data : 8/11/06	Firma : F.Z.	Modello : MG 6 SS-Y
			Disegno N. : ---
			Indice
			SE-G-00000016
			LOW OIL MONITOR
			SPEEDY
			MG6SS-Y-7
			DIST: MG6SS-Y-7

A termini di legge si riserva la proprietà di questo disegno con diritto di diffondere o riprodurre senza nostra autorizzazione.