

# GenSet



## MG 50 SS-P

**MANUAL NUMBER**  
**MI-G-00001600**

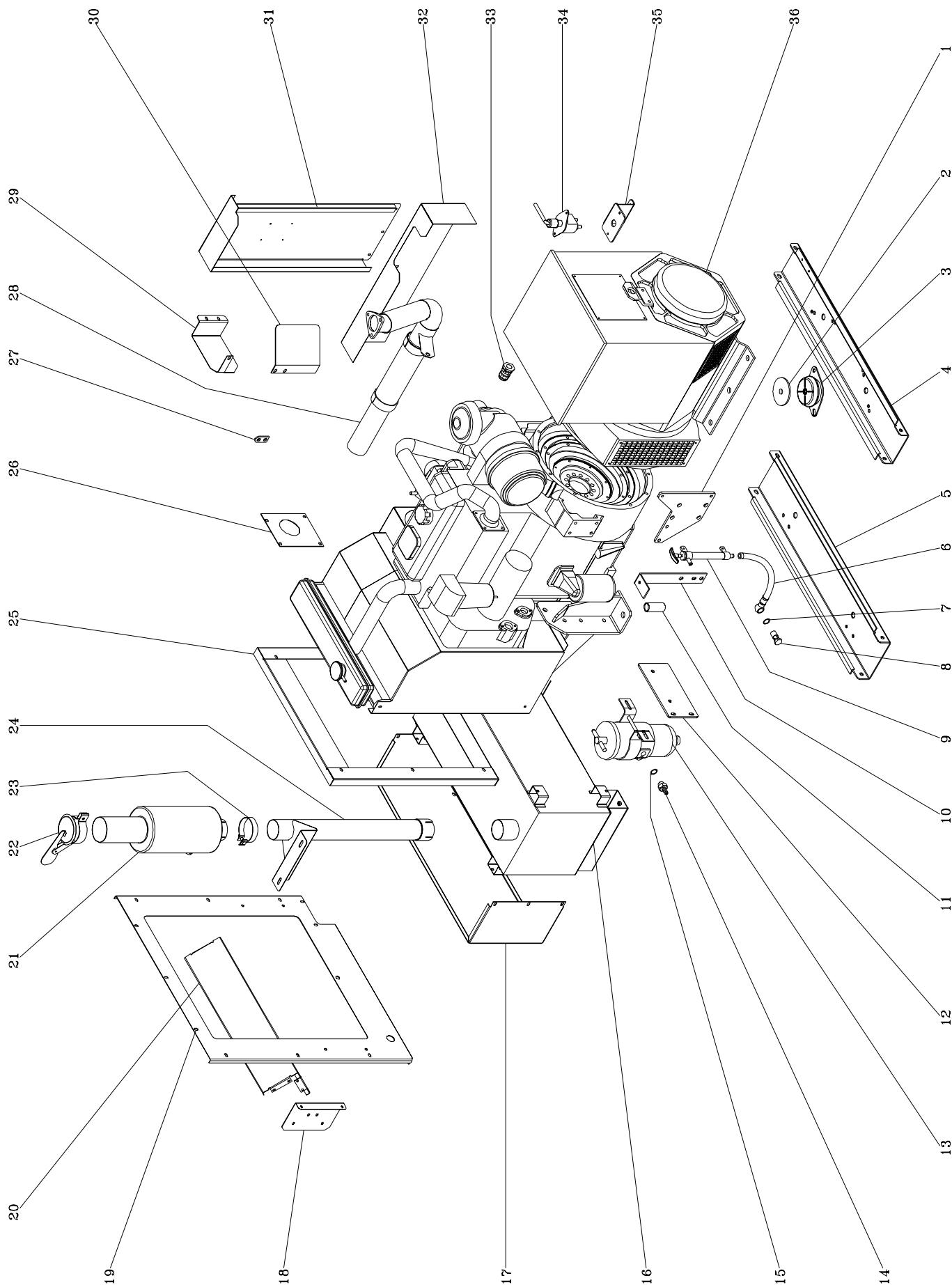
**REVISION LEVEL 0**  
**23-07-2007**

**GB** GENERATING SET  
USE AND MAINTENANCE MANUAL



**GEN SET S.p.a.**

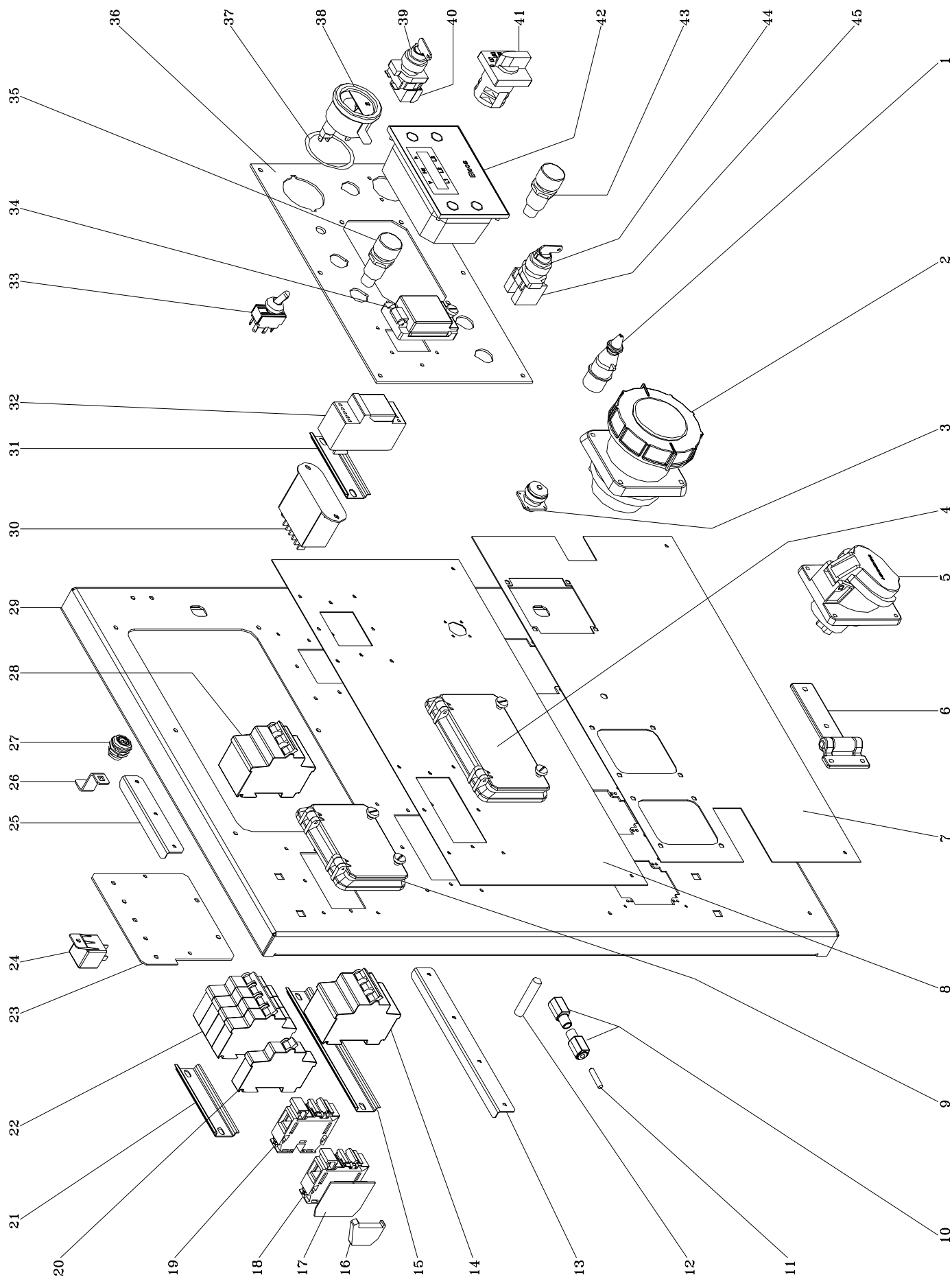
Via Stazione,5 - 27030 Villanova D' Ardenghi (Pavia) Italy  
Tel. (+39) 0382-5091 - Fax (+39) 0382-509-244  
E-mail: [genset@genset.it](mailto:genset@genset.it) - internet: [//www.genset.it](http://www.genset.it)



**List of spare part codes**

<b>No.</b>	<b>DESCRIPTION</b>	<b>SPARE PART CODE</b>
1	Oil drain pump support	134908
2	Shock absorber plate	134913
3	BRB 110 shock absorber	134960
4	Alternator support	134638
5	Engine support	134637
6	Oil drain pipe	104654
7	Ring	134237
8	Perforated screw	107485
9	Oil drain pump	4830
10	Engine cable support	140195
11	Pipes junction	134645
12	Fuel filter support	140112
13	Racor fuel filter	139608
14	Banjo fitting 3/4	140147
15	O ring	140149
16	Square silencer	133994
17	Silencer protection	134120
18	Conveyor support	133833
19	Radiator separator	133513
20	Conveyor	133832
21	Spark arrester	137470
22	D.90 flap	110456
23	Clamp D.73	134188
24	Terminal silencer	137472
25	Radiator frame	133584
26	Flange through	134666
27	Engine cable support	132353
28	Flexible	133502
29	Battery charge cover	134184
30	Starter motor cover	134183
31	Turbo protection	133991

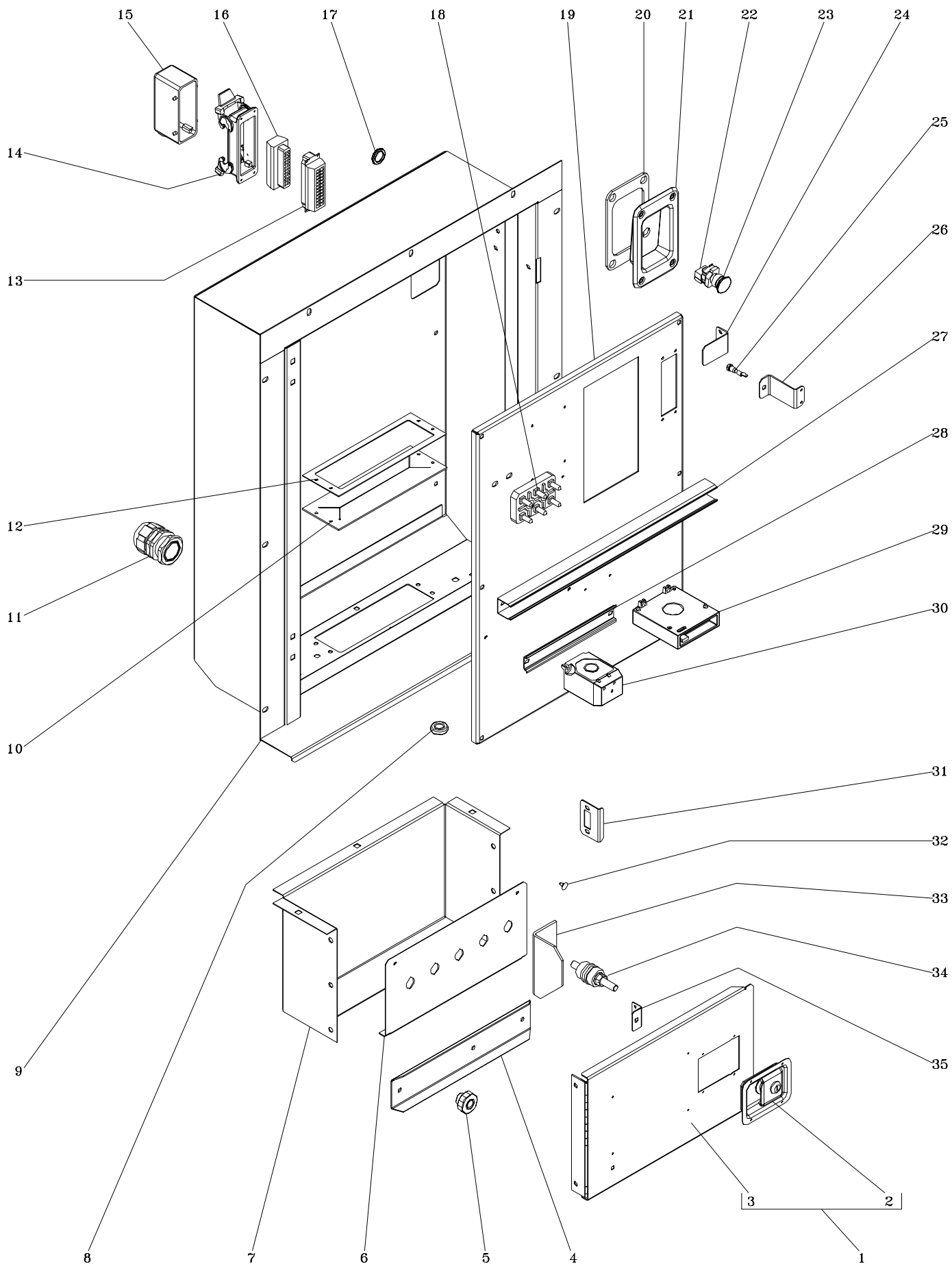
<b>No.</b>	<b>DESCRIPTION</b>	<b>SPARE PART CODE</b>
32	Flexible protection	133503
33	PG16 wire holder	113453
34	Battery switch	138686
35	Battery switch support	139095
36	Alternator Stamford	121005



**List of spare part codes**

<b>No.</b>	<b>DESCRIPTION</b>	<b>SPARE PART CODE</b>
1	Remote control plug	6051
2	415 V 63 A three phase current socket	3275
3	3 poles connector	6050/A
4	8 module transparent cover	135267
5	415 V 32 A three phase current socket	6258
6	Inox hinge	2873
7	Inferior screen printed overlay	140125
8	Top screen printed overlay	140123
9	6 module transparent cover	134281
10	Fuse holder	3152
11	5A fuse	120132
12	8x50 brass tie rod	110711
13	8 modules thermal circuit breaker spacer	135318
14	3 poles 32 A thermal circuit breaker	7360
15	L.140 omega profile	5828/140
16	Clamp lock	5996
17	Clamp terminal	118423
18	70mmq blue clamp	119601
19	70mmq clamp	118422
20	230 V bobine	133059
21	L.120 omega profile	5828/120
22	4 poles 63 A thermal circuit breaker	103206
23	12 V relay support	133798
24	12 V relay	6306
25	6 modules thermal circuit breaker spacer	135998
26	Lock hook	135088
27	Lock	6485

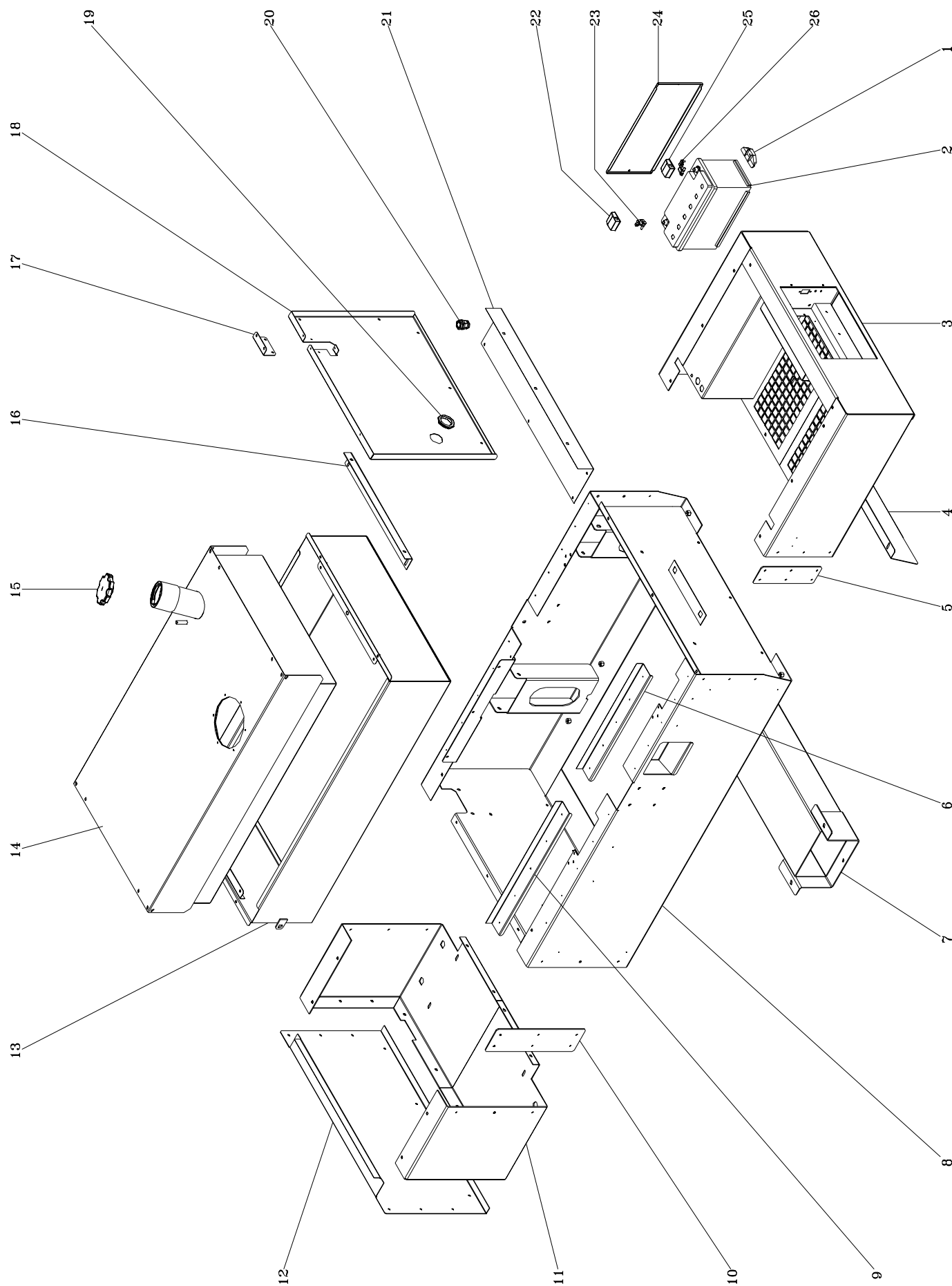
<b>No.</b>	<b>DESCRIPTION</b>	<b>SPARE PART CODE</b>
28	3 poles 63 A thermal circuit breaker	7753
29	Instrument support door	140126
30	Preheating module	140071
31	L.90 omega profile	5828/90
32	RD2 earth leakage circuit breaker	129870
33	T210 switch	4057/A
34	2 module transparent cover	135136
35	Yellow lamp D.22	133797
36	Screen printed overlay	140116
37	O ring	118183
38	Fuel level gauge	6518
39	Key switch	133202
40	Green auxiliary contact	115140
41	Voltmetric commutator	133630
42	Elcos control panel	140041
43	Red lamp D.22	133385
44	Moeller key switch	134823
45	Moeller auxiliary contact	134825



**List of spare part codes**

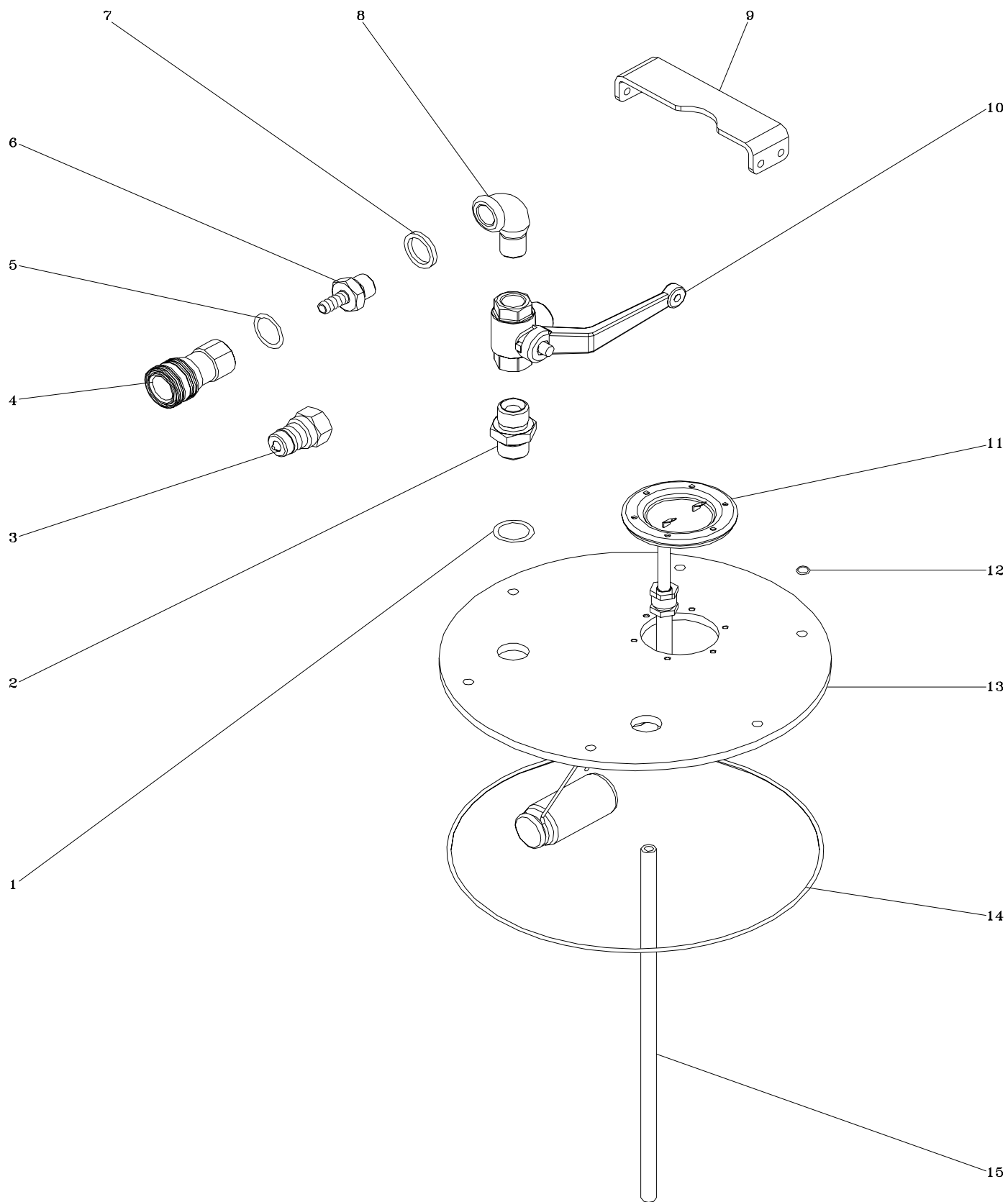
<b>No.</b>	<b>DESCRIPTION</b>	<b>SPARE PART CODE</b>
1	Output door assembly	135631/Z
2	Handle	112178
3	Output door	135631
4	Cables clamp plate	132774
5	Knob	4042
6	Clamps support	133082
7	Clamps protection	135635
8	Rubber wire holder	2108
9	Frontal box	135283/R
10	Rubber wire holder	120199
11	1/4 wire holder	5661
12	Frame wire holder	133992
13	24 poles male connector	105126
14	Immovable cover	105127
15	Mobile cover	100483
16	24 poles female connector	112959
17	Rubber wire holder	2657
18	6 poles M8 terminal board	114372
19	Electric parts support	133523
20	Stop button gasket	133397
21	Stop button pocket	133396
22	Red auxiliary contact	4395
23	Emergency stop button	100476
24	Open door support	133725
25	Open door push button	9881
26	Open door support	133726
27	Raceway	133257
28	L.220 omega profile	5828/220
29	Current reduction	105283
30	100/5 A transformer	5856
31	Lock plate	135649

<b>No.</b>	<b>DESCRIPTION</b>	<b>SPARE PART CODE</b>
32	Bumper	9399
33	Lexan separator	133081
34	Clamp M12	110410
35	Safety switch support	117775



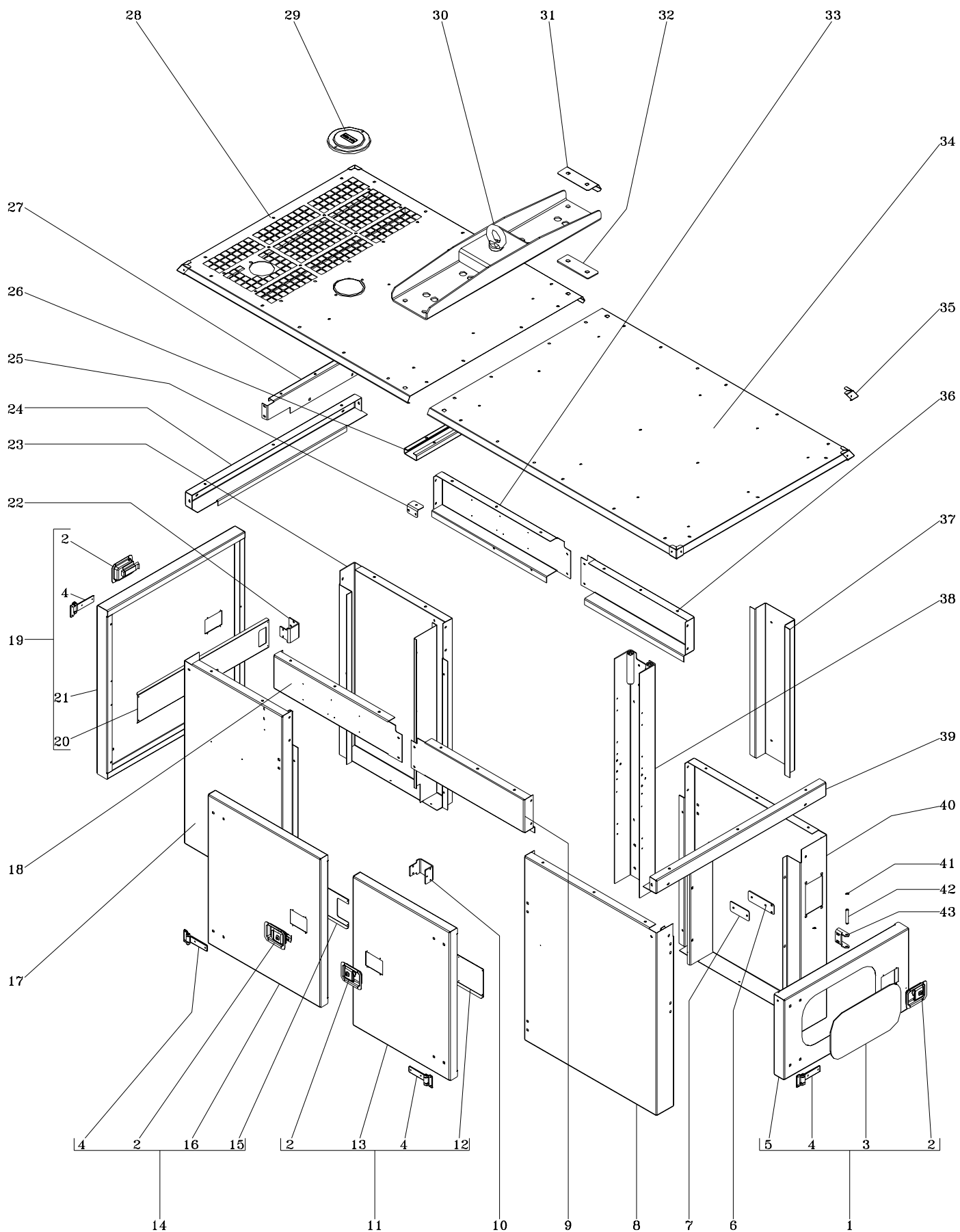
**List of spare part codes**

<b>No.</b>	<b>DESCRIPTION</b>	<b>SPARE PART CODE</b>
1	Battery clamp	133064
2	100 Ah battery	116357
3	Intake	135632
4	Basement front cover	135633
5	Front basement connection	135639
6	Front door plate	133956
7	Bearing base	139446
8	Basement	134633
9	Back door plate	133955
10	Back basement connection	134643
11	Expulsion box	134668/R
12	Expulsion back cover	134667/R
13	Bund tank	134650
14	Fuel tank	134644
15	Fuel tank cap	100546
16	Bund tank support	135952
17	Separator angular	133743
18	Alternator separator	133512/R
19	Rubber wire holder D.50	114763
20	Wire holder	5949
21	Horizontal separator	134655
22	Red clamp cover	109606/R
23	Battery positive clamp	4351
24	Battery cover	135634
25	Blue clamp cover	109606/B
26	Battery negative clamp	4352



## List of spare part codes

<b>No.</b>	<b>DESCRIPTION</b>	<b>SPARE PART CODE</b>
1	20x26 ring	133635
2	Tube nipple clamp	139096
3	Male rapid attachment 3/8	117343
4	Female rapid attachment 3/8	117344
5	3/8 ring	118521
6	Barbed fitting	134029
7	17x23x3 ring	135615
8	Elbow	130712
9	Handle	135956
10	Tap	117347
11	Fuel level gauge	133492
12	6x10x1.5 ring	133637
13	Inspection plate	133864
14	Gasket	133258
15	Tube	133491

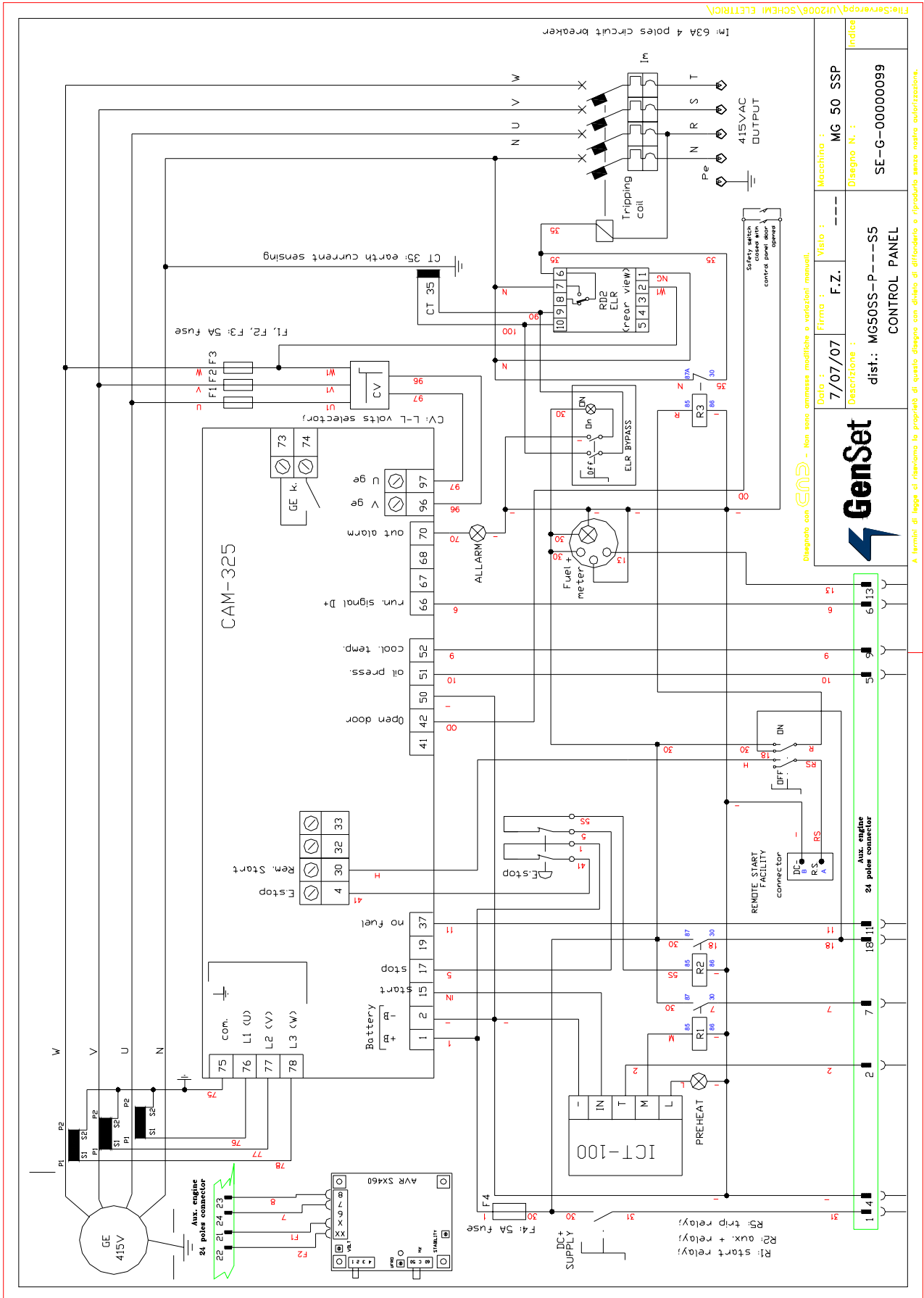


**List of spare part codes**

<b>No.</b>	<b>DESCRIPTION</b>	<b>SPARE PART CODE</b>
1	Complete frontal door	135640/R
2	Handle	112178
3	Lexan panel	135641
4	Inox hinge	2873
5	Frontal door	135640
6	Lock coupler plate support	135528
7	Lock coupler plate spacer	135527
8	Left front wall	133977/R
9	Left front connection	133989/R
10	Lateral clamp support	133946
11	Complete front lateral door	133951/R
12	Lateral front cloth-clamp plate	133593
13	Front lateral door	133951
14	Complete back lateral door	133952/R
15	Lateral back cloth-clamp plate	133519
16	Back lateral door	133952
17	Left back wall	133979/R
18	Left back connection	133987/R
19	Complete back door	133518/R
20	Back cloth-clamp plate	133594
21	Back door	133518
22	Back clamp support	133966
23	Right back wall	133978/R
24	Back connection	133529
25	Raceway support	133782
26	Raceway	133781
27	Canopy junction cross member	133527
28	Back top canopy	133533/R
29	Radiator cover	129868/A

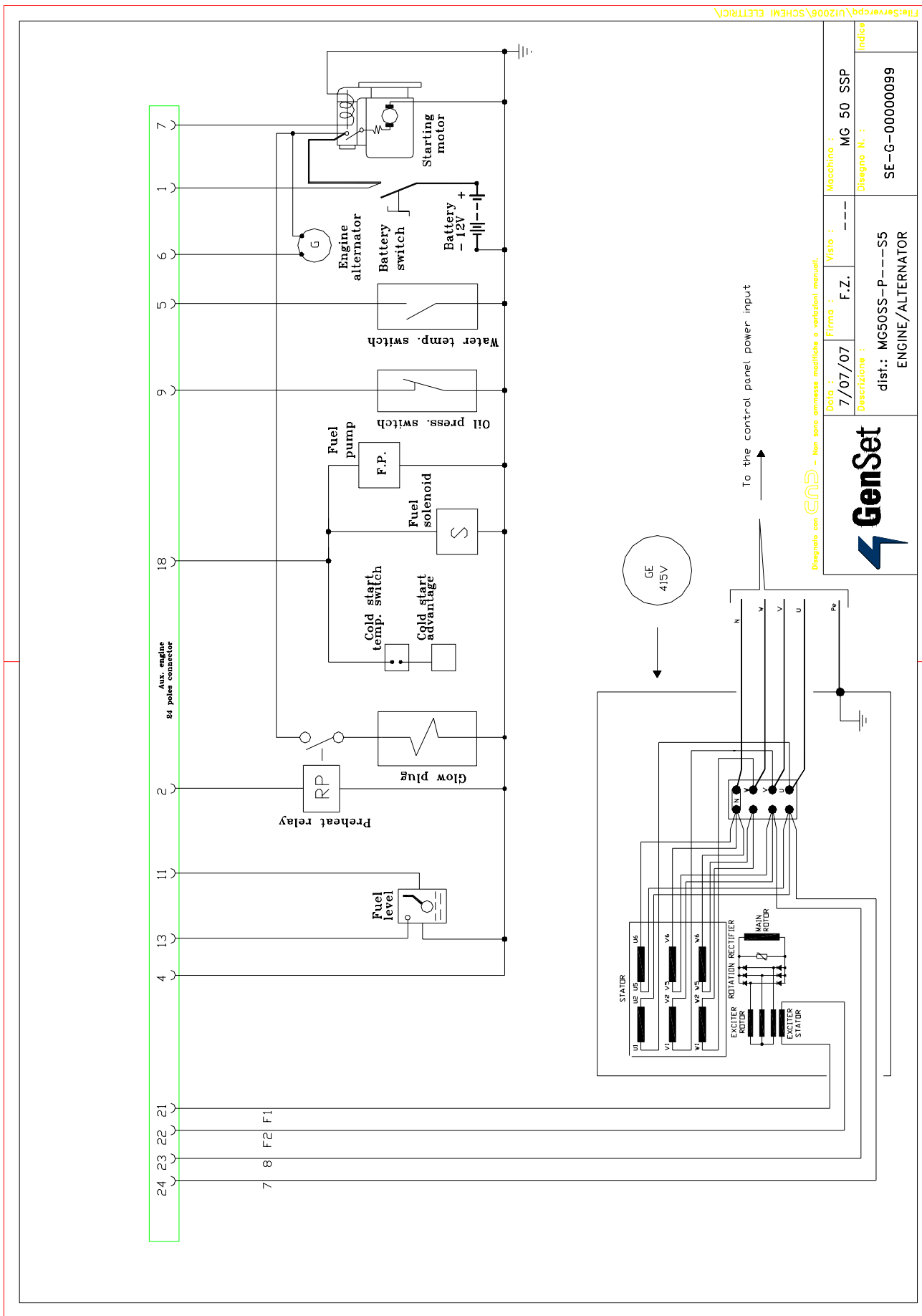
<b>No.</b>	<b>DESCRIPTION</b>	<b>SPARE PART CODE</b>
30	Lifting cross member	133500
31	Junction cover	134248
32	Reinforcement	133548
33	Back right connection	133986/R
34	Top front canopy	133532/R
35	Top canopy angle	133742
36	Front right connection	133988/R
37	Lifting tie rod cover	133954
38	Lifting tie rod	133499
39	Front connection	133528
40	Right front wall	135662/R
41	Seeger ring	133948
42	Pin	133947
43	Lock coupler plate	133945

## 11.1 ELECTRICAL DIAGRAM



**GenSet**  
 Diagono con - Non sono ammesse modifiche o variazioni manuali.  
 Data: 7/07/07 Firma: F.Z.  
 Descrizione: MG50SS-P---S5 CONTROL PANEL  
 Macchina: MG 50 SSP  
 Disegno N.: SE-G-00000099  
 Indica

A termini di legge di riferimento la proprietà di questo disegno con diritto di diffondere o riprodurre senza nostro autorizzazione.

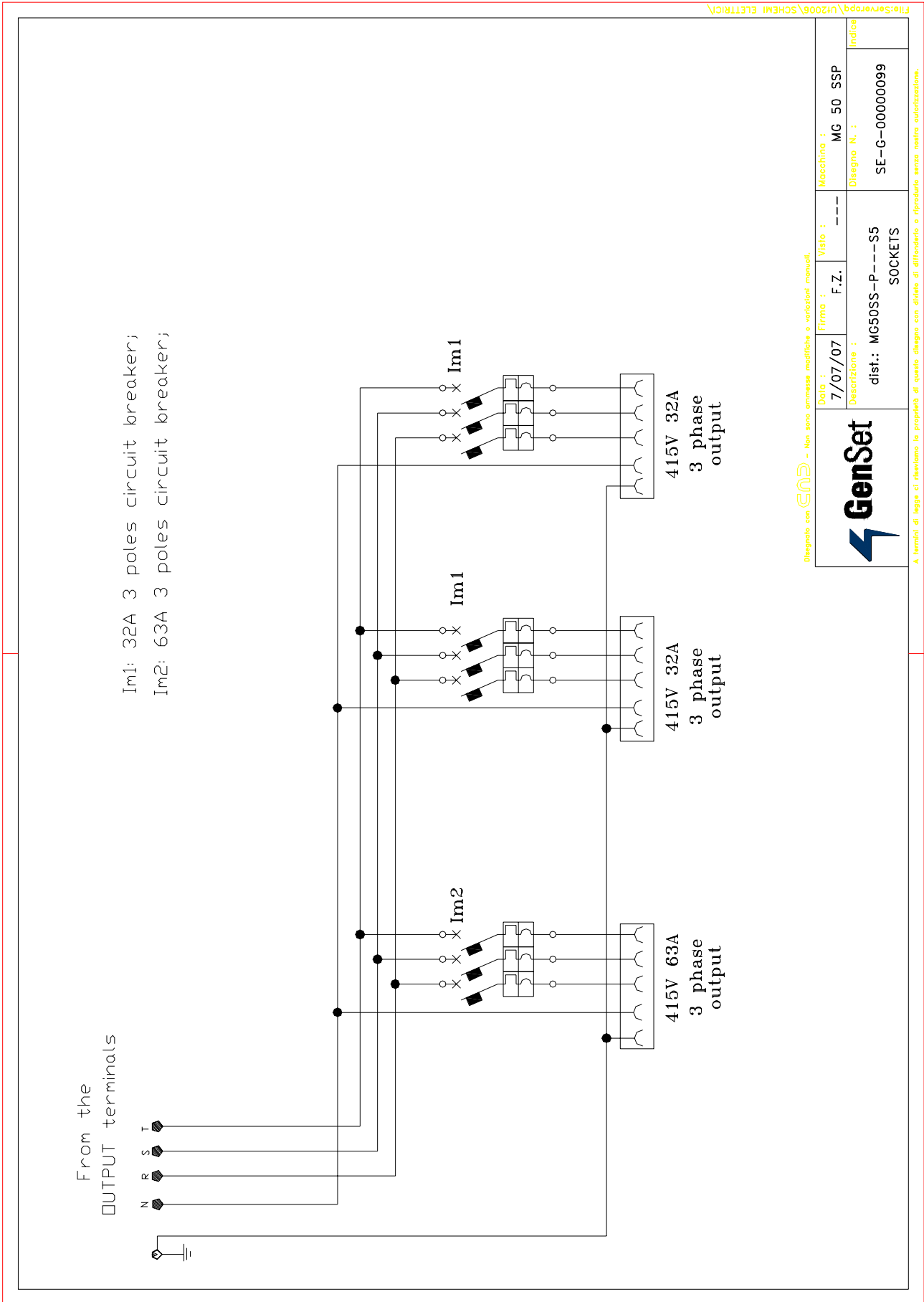


Files: Servemp\U12008\SCHEMI ELETTRICI

Disegnato con **CAD** - Non sono ammesse modifiche o variazioni manuali.

<b>GenSet</b>		Macchina : MG 50 SSP	
Data : 7/07/07	Firma : F.Z.	Visio : ---	Indice
Descrizione : dist.: MG50SS-P---S5 ENGINE/ALTERNATOR		Disegno N. : SE-G-00000099	

A termini di legge di riserviamo la proprietà di questo disegno sono vietati di diffonderlo o riprodurlo senza nostra autorizzazione.



file:server\p\Uz2006\SCHEMI ELETTRICI\

Disegnato con **CAD** - Non sono ammesse modifiche e variazioni manuali.

		Data : 7/07/07	Firma : F.Z.	Volo : ---	Macchina : MG 50 SSP
Descrizione : dist.: MG50SS-P---S5 SOCKETS		Disegno N. : SE-G-00000099		Indice	

A termini di legge ci riserviamo la proprietà di questo disegno con diritti di diffondere e riprodurre senza nostra autorizzazione.