

GenSet



MG 115 SS-P

MANUAL NUMBER
MI-G-0002002

REVISION LEVEL 2
08-01-2008

GB GENERATING SET
USE AND MAINTENANCE MANUAL

GEN SET S.p.a.

Via Stazione,5 - 27030 Villanova D' Ardenghi (Pavia) Italy
Tel. (+39) 0382-5091 - Fax (+39) 0382-509-244
E-mail: genset@genset.it - internet: //www.genset.it

05.1 GENERATOR

Type	Synchronous
Three phase power (Standby Power)	110 kVA - 415 V (according to DIN 6271)
Three phase power (Prime Power)	100 kVA - 415 V (according to DIN 6271)
Single phase power (Prime Power)	37 kVA - 240 V (according to DIN 6271)
Frequency	50 Hz
Power factor	0,8
Insulation class	H
Degree of protection	IP 23

Prime power: 10% overload permitted for 1 hour every 12 hours

Standby power: no overload permitted

05.2 ENGINE

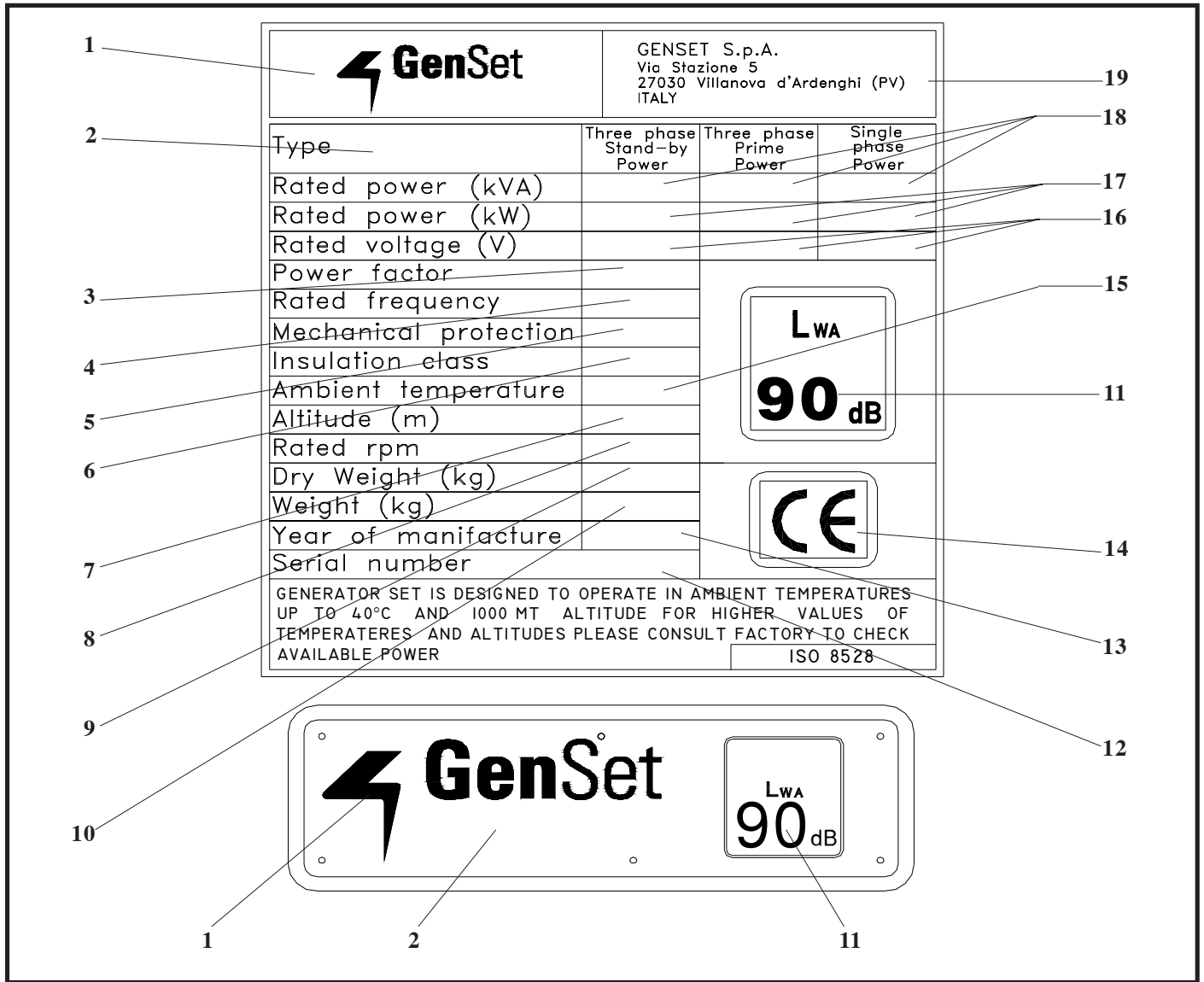
Engine type	Perkins 1104C 44TAG2
Number of cylinders	4
Displacement	4400 cm ³
Power (emergency service)	140 HP (103 kWm)
Engine speed	1500 rpm
Cooling system	Water
Fuel type	Diesel
Oil tank capacity	8 l
Starting system	Electric
Consumption per hour (at 75% of continuous service)	17,1 l/h

05.3 GENERAL SPECIFICATIONS

Noise power emission level	L _{wa} 90
Battery	12 V - 120 Ah
Fuel tank capacity	470 l
Bounded tank capacity	530 l
Operating range at 75% of continuous service power	27 h ~
Weight	2422 Kg
Dry weight	2050 Kg
Dimensions (L x W x H)	3200 x 1230 x 1870

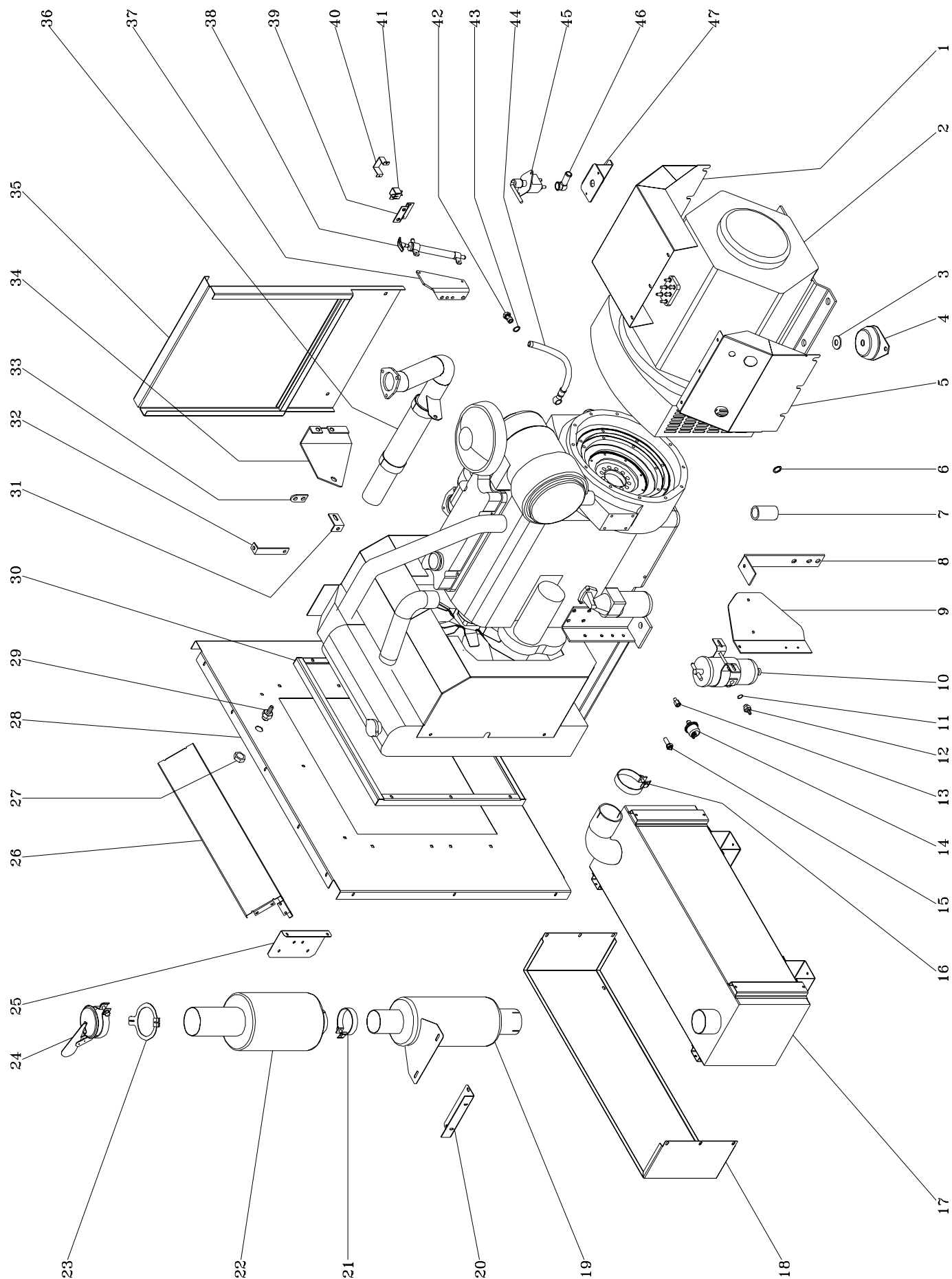
05.4 RATING PLATE DESCRIPTION

A rating plate showing the operation capabilities and performance limits is provided on the unit.



LEGEND

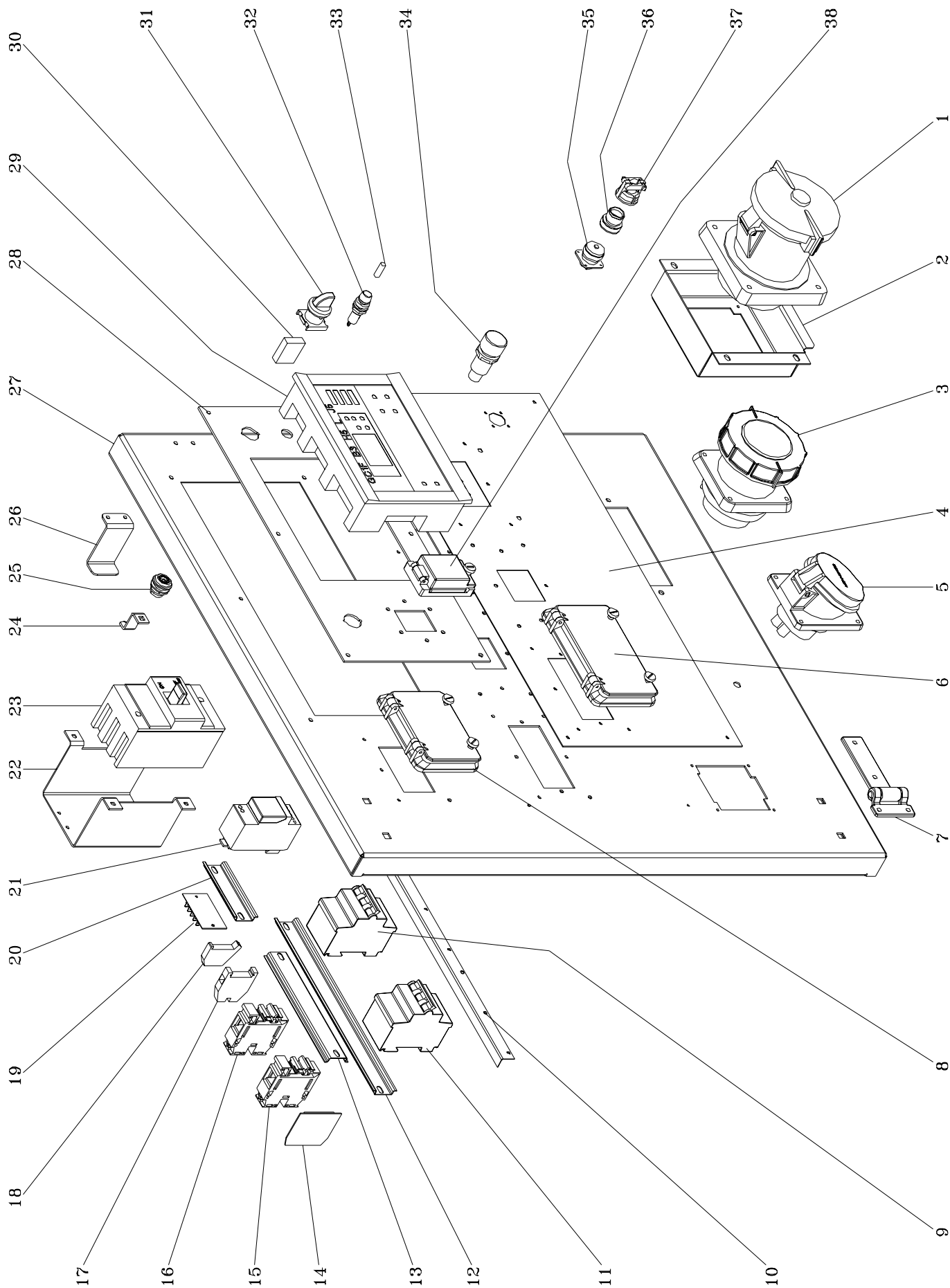
- 1. Manufacturer's logo
- 2. Generator model
- 3. Power factor
- 4. Rated frequency
- 5. Unit's degree of protection
- 6. Insulation class
- 7. Altitude reference
- 8. Engine speed
- 9. Dry weight
- 10. Weight
- 11. Noise level
- 12. Serial number
- 13. Manufacture year
- 14. EC mark
- 15. Ambient temperature
- 16. Rated voltage values
- 17. Rated power kW
- 18. Rated power kVA
- 19. Manufacturer's address



List of spare part codes

No.	DESCRIPTION	SPARE PART CODE
1	Right cover alternator	140766
2	Alternatore Stamford	107770
3	Spacer	134873
4	T4 shock absorber	6412
5	Left cover alternator	140767
6	Ring nut for pick up	134938
7	Tubes junction	134654
8	Engine cable support	140195
9	Fuel filter support	140078
10	Racor fuel filter	139608
11	O ring	140149
12	Banjo fitting 3/4	140147
13	Pression transmitter reduction	139648
14	Pression transmitter	130678
15	Temperature sensor	130679
16	Clamp D.83	134367
17	Square silencer	134522
18	Silencer protection	134332
19	Vertical silencer	134523/1
20	Silencer support plate	140301
21	Clamp D.89	134366
22	Spark arrester	134524
23	Terminal guide	135117
24	D.102 flap	103731
25	Conveyor support	133833
26	Conveyor	134052/1
27	Lock nut	134662
28	Radiator separator	134051
29	Banjo fitting 3/4	6799
30	Frame	132460

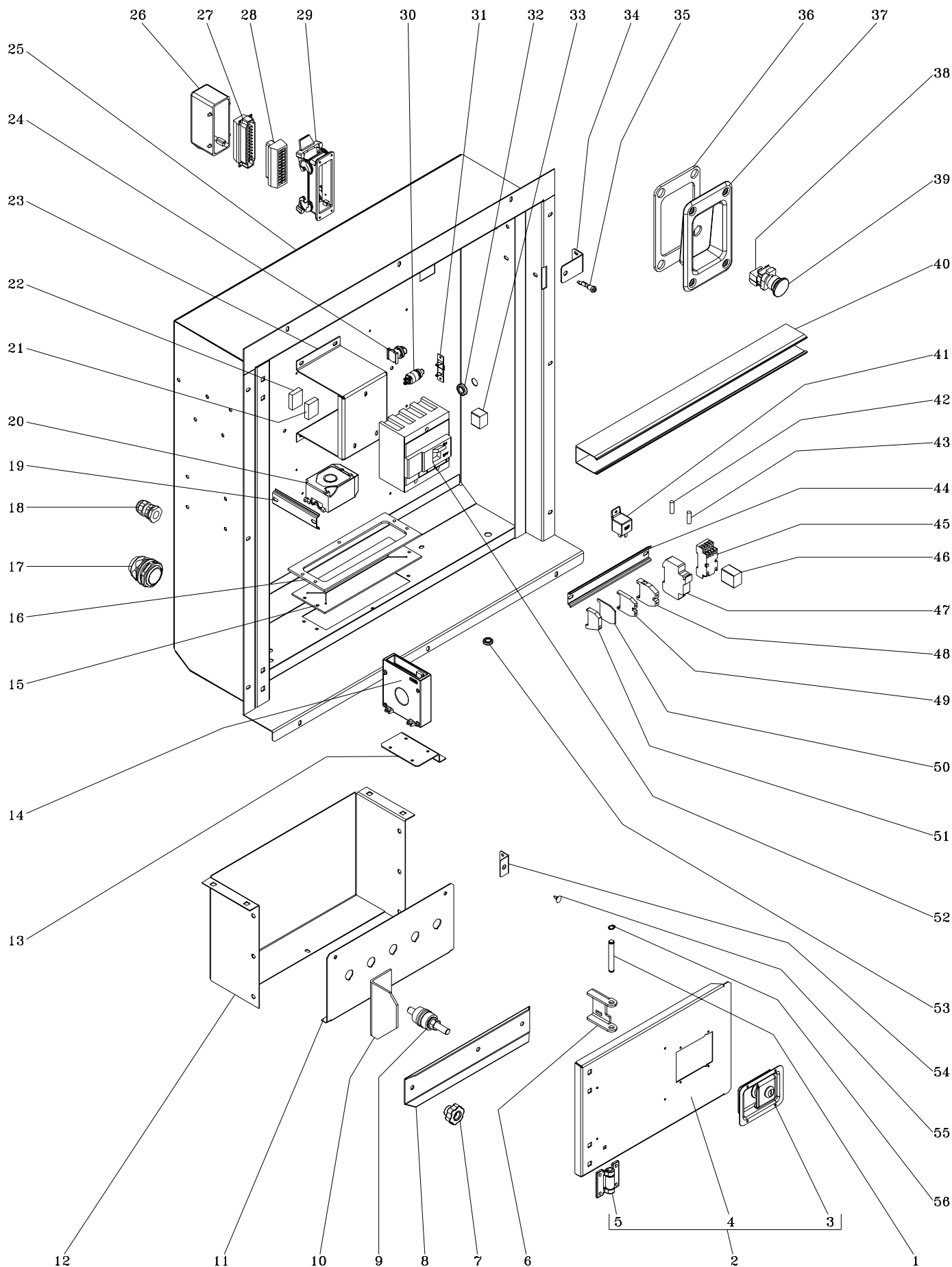
No.	DESCRIPTION	SPARE PART CODE
31	Battery charge cover support	134198
32	Tube support	135987
33	Engine cable support	132353
34	Battery charge cover	134197
35	Flexible protection	134409/R
36	Flexible	134659
37	Oil drain pump support	104653
38	Oil drain pump	4830
39	Relay support	139514
40	U bolt for relay	139505
41	12 V 70 A relay	137052
42	Perforated screw	107485
43	Ring	134237
44	Oil drain pipe	104654
45	Battery switch	138686
46	Battery switch cap	116222
47	Battery switch support	139095



List of spare part codes

No.	DESCRIPTION	SPARE PART CODE
1	415 V 125 A three phase current socket	6423
2	Current socket box	133699
3	415 V 63 A three phase current socket	3275
4	Inferior screen printed overlay	140275
5	415 V 32 A three phase current socket	6258
6	8 module transparent cover	135267
7	Inox hinge	2873
8	6 module transparent cover	134281
9	3 poles 63 A thermal circuit breaker	140165
10	Circuit breakers spacer	140281
11	3 poles 32 A thermal circuit breaker	140163
12	L.320 omega profile	5828/320
13	L.200 omega profile	5828/200
14	Clamp terminal	118423
15	70mmq blue clamp	119601
16	70mmq clamp	118422
17	mmq4 clamp	5975
18	Black clamp	5996
19	GS0704 electric panel	140540
20	L.100 omega profile	5828/100
21	RD2 earth leakage circuit breaker	129870
22	Circuit breaker support	140278
23	3 poles 125 A thermal circuit breaker	122931
24	Lock hook	135088
25	Lock	6485
26	Open door support	133726
27	Instrument support door	140268

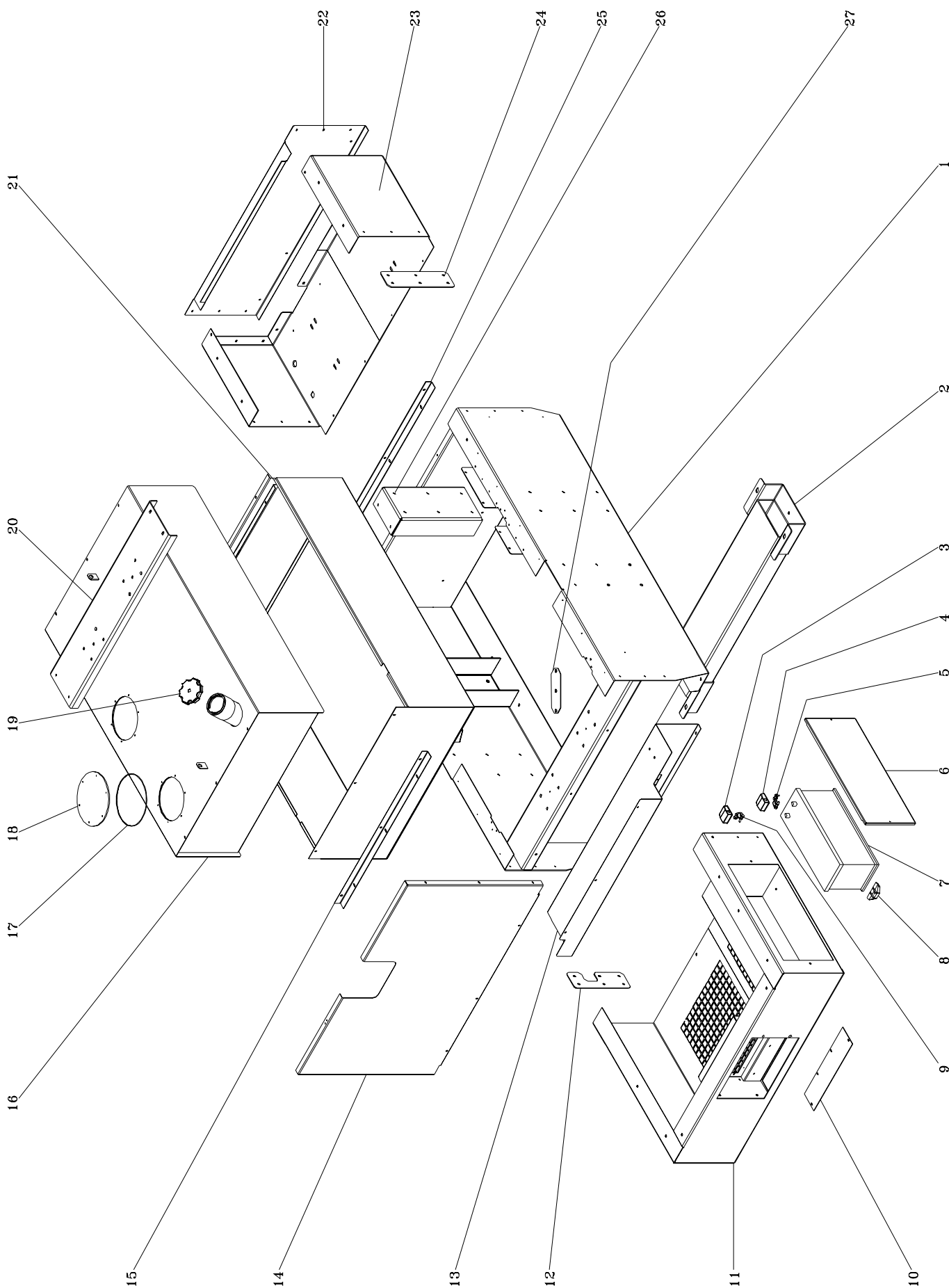
No.	DESCRIPTION	SPARE PART CODE
28	Top screen printed overlay	140734
29	Deif control panel	139612
30	NA moeller auxiliary contact	134825
31	Moeller key switch	140660
32	Fuse holder	2062
33	20 A fuse	1340
34	Red lamp D.22	133385
35	3 poles connector	6050/A
36	Terminal plug	6068
37	Plug	6051
38	2 module transparent cover	135136



List of spare part codes

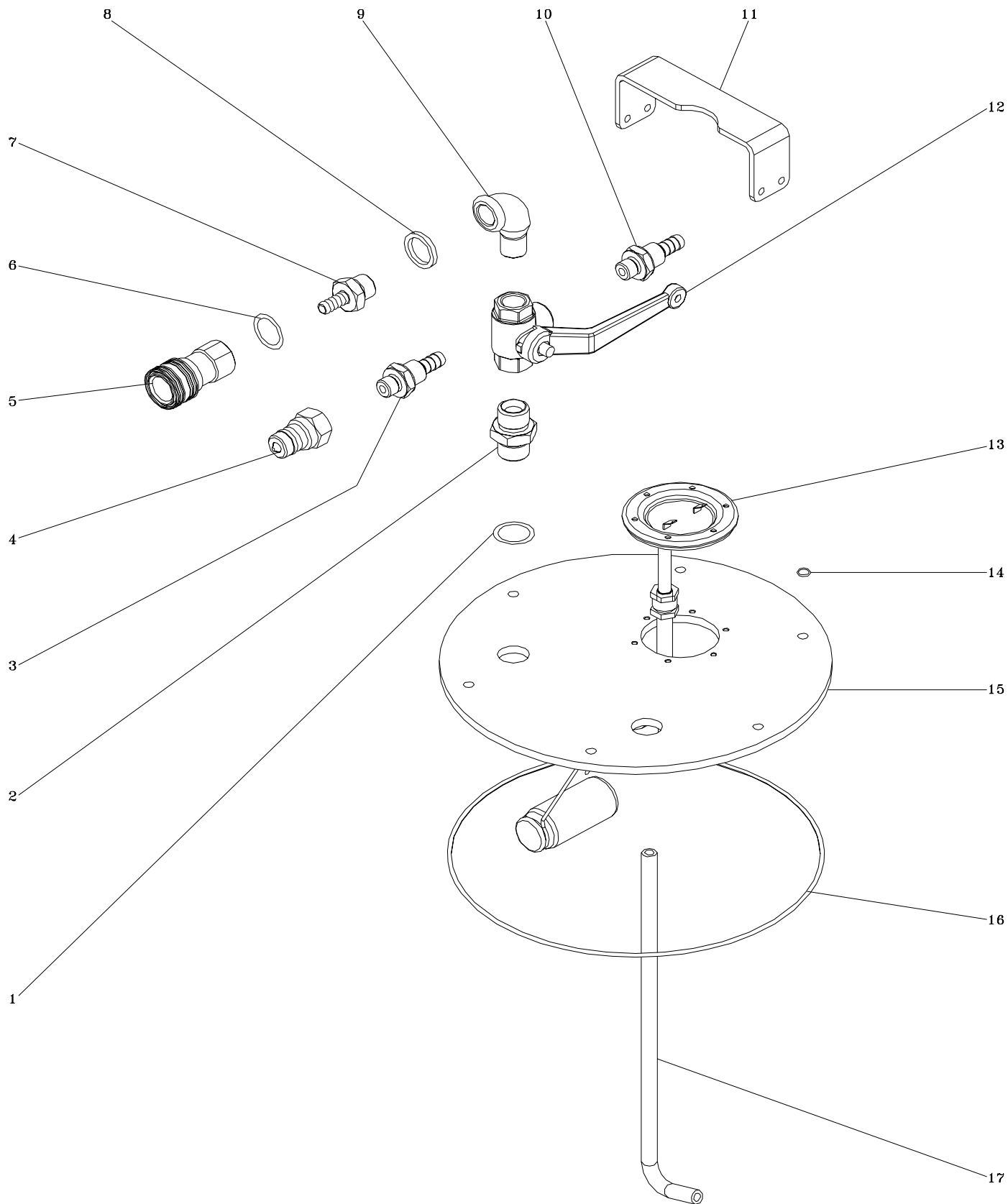
No.	DESCRIPTION	SPARE PART CODE
1	Pin	133947
2	Output door assembly	140658/Z
3	Handle	112178
4	Output door	140658
5	Inox hinge	139822
6	Lock coupler plate	133945
7	Knob	117551
8	Cables clamp plate	132774
9	Clamp M12	110410
10	Lexan separator	133081
11	Clamps support	133082
12	Clamps protection	140282
13	Current reduction support	140286
14	Current reduction	105283
15	Rubber wire holder	120199
16	Frame wire holder	133992
17	1/4 wire holder	5661
18	D.16 wire holder	5960/4
19	L.180 omega profile	5828/180
20	250/5 A transformer	6428
21	NA moeller auxiliary contact	134825
22	NC moeller auxiliary contact	134824
23	Main circuit breaker support	140675
24	Moeller key switch	140660
23	Push button	8328
25	Frontal box	140736/R
26	Mobile cover	100483
27	24 poles male connector	105126
28	24 poles female connector	112959
29	Immovable cover	105127
30	Push button	8328

No.	DESCRIPTION	SPARE PART CODE
31	Trimmer	139880
32	Rubber wire holder	2657
33	230 V tripping coil	124598
34	Open door support	133725
35	Safety switch	9881
36	Stop button gasket	133397
37	Stop button pocket	133396
38	Red auxiliary contact	4395
39	Emergency stop button	100476
40	Raceway 40x40	133257
41	12 V DC relay with diode	138183
42	10x38 2 A fuse	133285
43	10x38 20 A fuse	133287
44	L.220 omega profile	5828/220
45	Relay Finder support	116805
46	12 V DC relay	133207
47	Fuse holder	133205
48	mmq10 clamp	7122
49	mmq4 clamp	5975
50	mmq10 clamp terminal	5979
51	Black clamp	5996
52	160 A 4 poles circuit breaker	139384
53	Rubber wire holder	2108
54	Safety switch support	117775
55	Bumper	9399
56	Seeger ring	133948



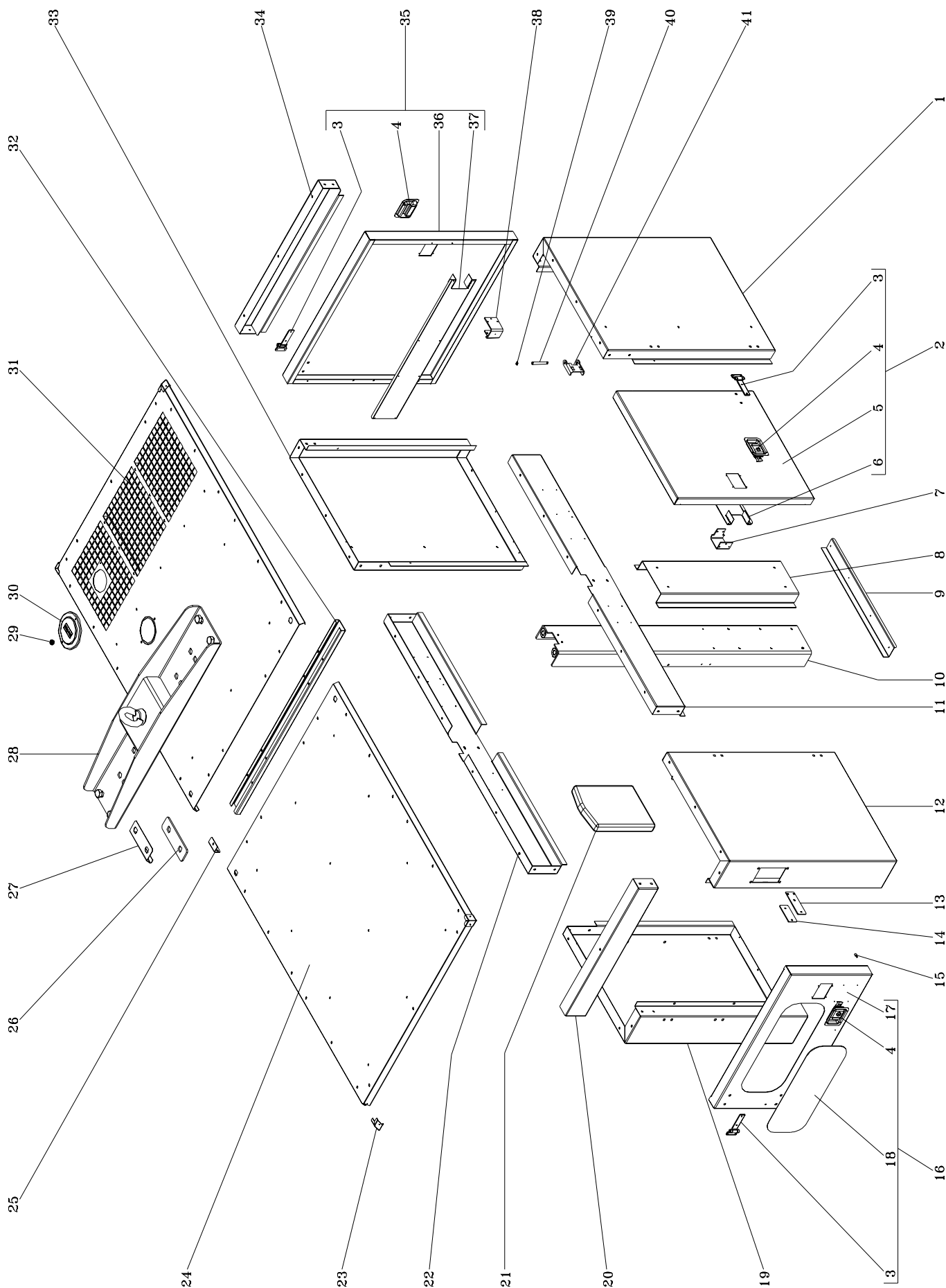
List of spare part codes

No.	DESCRIPTION	SPARE PART CODE
1	Basement	135590
2	Bearing base	139449
3	Red clamp cover	109606/R
4	Blue clamp cover	109606/B
5	Battery negative clamp	4352
6	Battery cover	133889
7	120 Ah battery	103803
8	Battery clamp	133064
9	Battery positive clamp	4351
10	Cover plate	140262
11	Intake	140752/R
12	Front basement connection	135591
13	Horizontal separator	140256
14	Alternator separator	140255/R
15	Bund tank support	134040
16	Fuel tank	140313/R
17	Gasket	133258
18	Fuel tank inspection plate	140317
19	Fuel tank cap	100546
20	Engine cross member	133888
21	Bund tank	133631
22	Expulsion back cover	134045/R
23	Expulsion box	134043/R
24	Back basement connection	134026
25	Clamp plate	134044
26	Engine cross member support	133890
27	Schock absorber clamp	136635



List of spare part codes

No.	DESCRIPTION	SPARE PART CODE
1	20x26 ring	133635
2	Tube nipple clamp	139096
3	Barbed fitting 1/4	140198
4	Male rapid attachment 1/4	140670
5	Female rapid attachment 1/4	140669
6	Ring	5677
7	Barbed fitting D.8	134029
8	17x23x3 ring	135615
9	Elbow	130712
10	Barbed fitting D.10	122117
11	Handle	126426
12	Tap	117347
13	Fuel level gauge	134275
14	6x10x1.5 ring	133637
15	Inspection plate	133864
16	Gasket	133258
17	Tube	134276

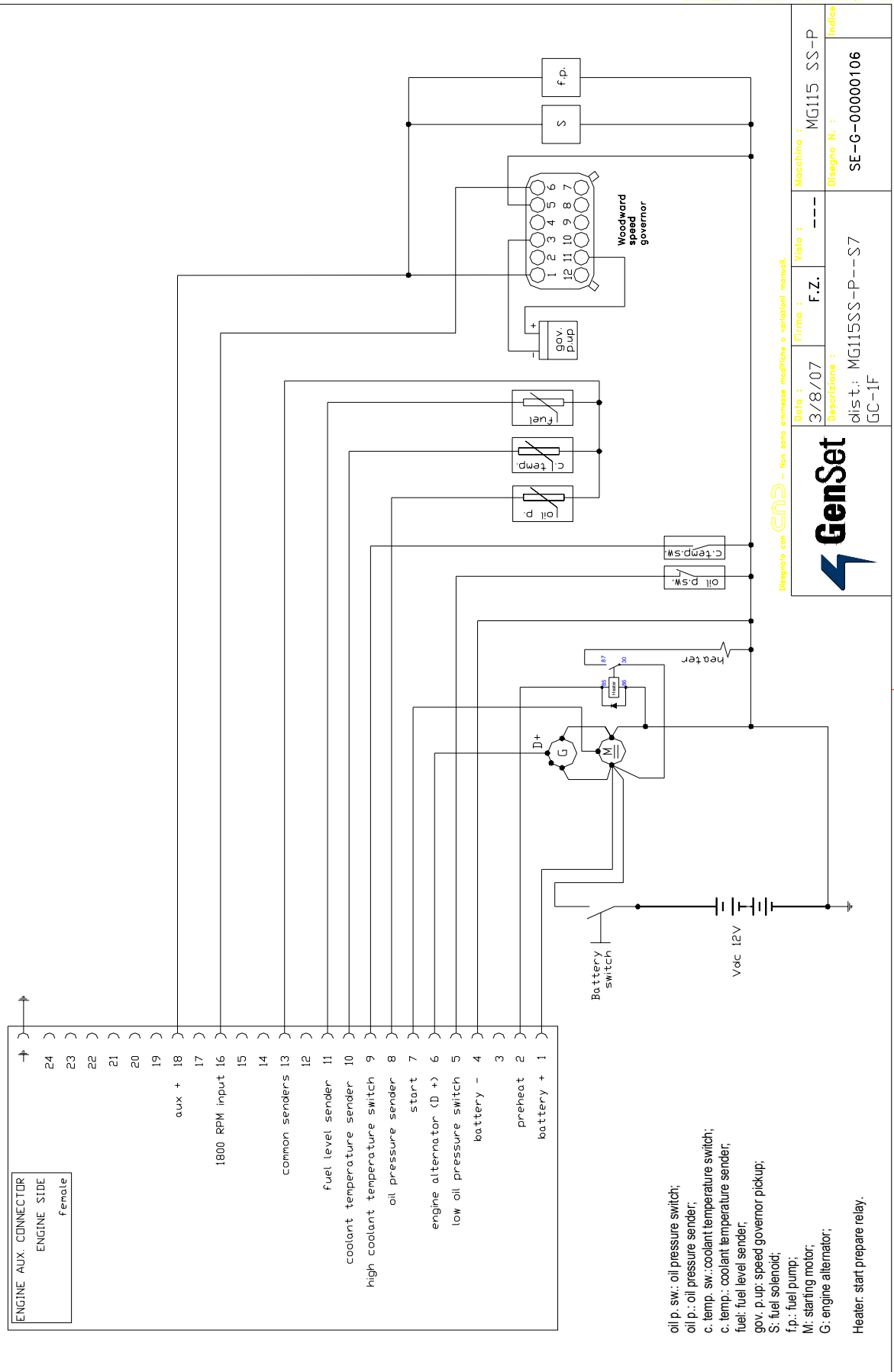


List of spare part codes

No.	DESCRIPTION	SPARE PART CODE
1	Right back plate	134139/1/R
2	Complete lateral door	134084/R
3	Inox hinge	2873
4	Handle	112178
5	Lateral door	134084
6	Lateral cloth-clamp plate	134085
7	Lateral clamp support	133946
8	Lifting tie rod cover	134099
9	Door plate	134205
10	Lifting tie rod	134090
11	Right lateral connection	140265/DX/R
12	Right front plate	140741/R
13	Lock coupler plate spacer	135527
14	Lock coupler plate support	135528
15	10x10 shock absorber	133164
16	Complete frontal door	140748/R
17	Frontal door	140748
18	Lexan panel	134299
19	Left front plate	140742/R
20	Front connection	140740/R
21	Documents holder	125830
22	Left lateral connection	140265/SX/R
23	Top canopy angle	140191
24	Front top canopy	134161/R
25	Raceway support	133984
26	Reinforcement	134482
27	Junction cover	134535
28	Lifting cross member	134101
29	Black knob	115119
30	Radiator cover	129868/A
31	Back top canopy	134154/R

No.	DESCRIPTION	SPARE PART CODE
32	Raceway	134105
33	Left back plate	140300/R
34	Back connection	134141/R
35	Complete back door	134142/R
36	Back door	134142
37	Back cloth-clamp plate	134144
38	Back clamp support	134143
39	Seeger ring	133948
40	Pin	133947
41	Lock coupler plate	133945

FILE: F:\FRANCESCO-SCHEMI-ELETTRICI\



A. I termini di legge si riconosce la proprietà di questo disegno con diritto di diffonderlo e riprodurlo senza nostra autorizzazione.