



### Soundproof cabin

A new project engineering design with a structure of painted steel panels with high resistance to external agents.

Easy access to the inner cabin in case of maintenance services.

### Remote control panel

The gen-set control panel was designed to include, in one single panel, the switches, control devices and the protection devices

The components are the following :

- Hour-meter.
- Start-stop button.
- Warning lamps for generator running, low oil pressure, high temperature, battery charger failure, glow plug preheating.
- Cable for remote connection.

### Engine

- Easy access for feeding system and lubrication's maintenance
- Safety shutdown in case of low oil pressure.
- Safety shutdown in case of high water temperature.
- Oil and fuel filters of easy access.

### Alternator

- Synchronous, 2 poles, brushless self-excited, self-regulated.
- Rotor and stator epoxy resin coated against external agents.
- Rotor dynamically balanced.
- Insulation class H.

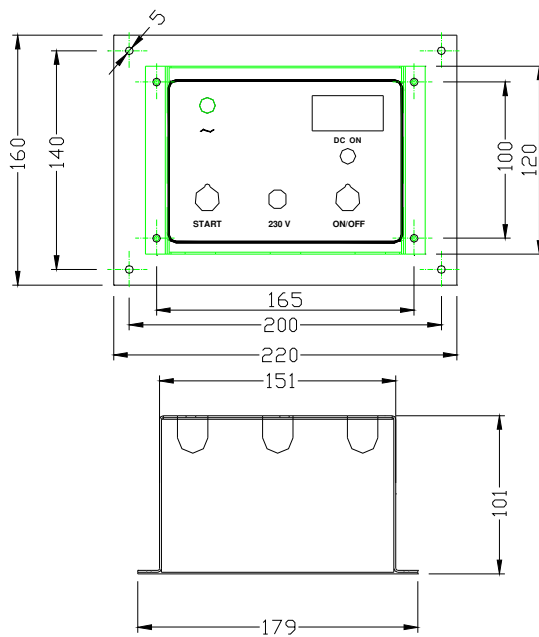
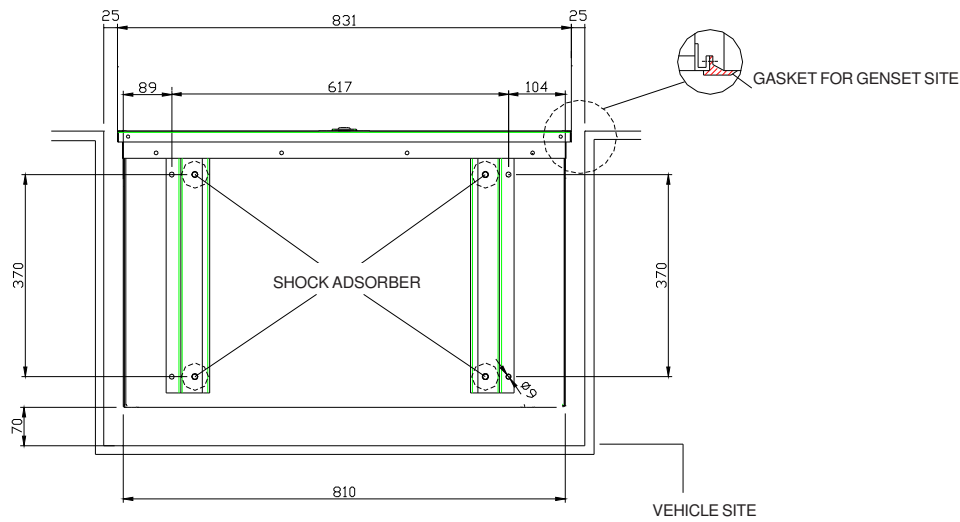
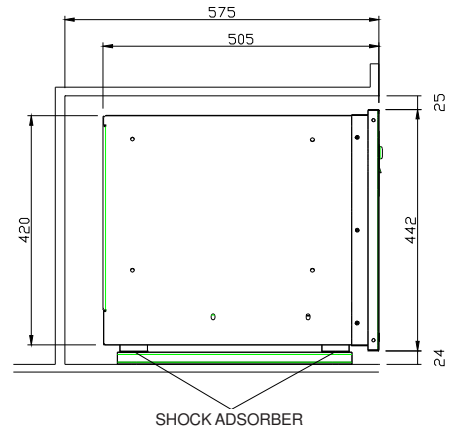
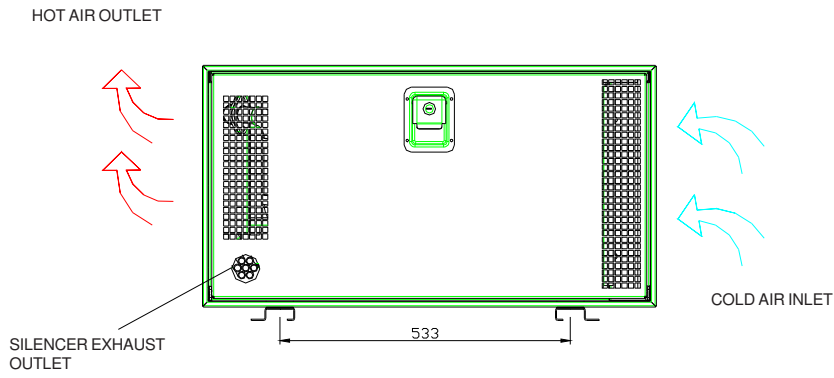
### ENGINE

Model	HONDA GX390 OHV
Type	Unleaded gasoline, 4 stroke
Cylinders (nr.)	1
Displacement (cc)	389
Power (hp)	11
RPM	3000
Speed governor	Centrifugal, mechanical
Lubrication system	Forced
Oil sump capacity (l)	1,1
Specific fuel consumption (gr/kWh)	312
Starting battery (Ah-V)	24 - 12

### ALTERNATOR

Type	Synchronous type, 2-poles auto excited
Cooling	Air
Voltage (V)	230
Frequency (Hz)	50
Insulating class	F
Power (kVA)	5,8
Power factor (cos $\phi$ )	0,8
Dimension (L x W x H) (mm)	810 x 505 x 442
Weight (kg)	172
Noise power level (dB)	86 LWA

# MHS 5800 H-SA



GEN SET S.p.A. - 27030 Villanova D'Ardenghi (PV) - Italy - Via Stazione, 5  
 Tel.: (+39)0382-5091 • Fax: (+39)0382-509-244 • Email: genset@genset.it

A.A.Rev.1 del 30-07-2007

Dealer:

**GENSET** S.p.A. reserves the right to change the design or specifications without notice and without any obligations or liability whatsoever. For more information, you may contact your local **GENSET** dealer.