

### Remote control panel

The gen-set control panel was designed to include, in one single panel, the switches, control devices and the protection devices. The components are the following :

- Hour-meter.
- Start-stop button.
- Warning lamps for high temperature, low oil pressure, generator running, low fuel level.
- Cable 10 mt long.

### Engine

- Easy access for feeding system and lubrication's maintenance
- Safety shutdown in case of low oil pressure.
- Safety shutdown in case of high water temperature.
- Oil and fuel filters of easy access.

### Alternator

- Synchronous, 2 poles, brushless self-excited, self-regulated.
- Rotor and stator epoxy resin coated against external agents.
- Rotor dynamically balanced.
- Insulation class H.

### Soundproof cabin

A new project engineering design with a structure of painted steel panels with high resistance to external agents.

Easy access to the inner cabin in case of maintenance services.

### ENGINE

Model	Yanmar L100
Type	Diesel 4 stroke
Cylinders (nr.)	1
Displacement (cc)	406
Power (hp)	8,8
RPM	3000
Combustion system	Direct
Speed governor	Centrifugal, mechanical
Lubrication system	Forced
Oil sump capacity (lt)	1,65
Engine stop system	Solenoid
Fuel pump	Electric
Fuel pump discharge (cm)	70
Fuel consumption (l/h)	2
Starting battery (Ah-V)	40 - 12
Battery charger (Ah-V)	10 - 12
Starter (kW-V)	0,8 - 12

### ALTERNATOR

Type	Synchronous type, 2-poles, auto excited
Cooling	Air
Voltage (V)	230
Frequency (Hz)	50
Insulating class	H
Voltage stability	±10%
Frequency stability	±5%

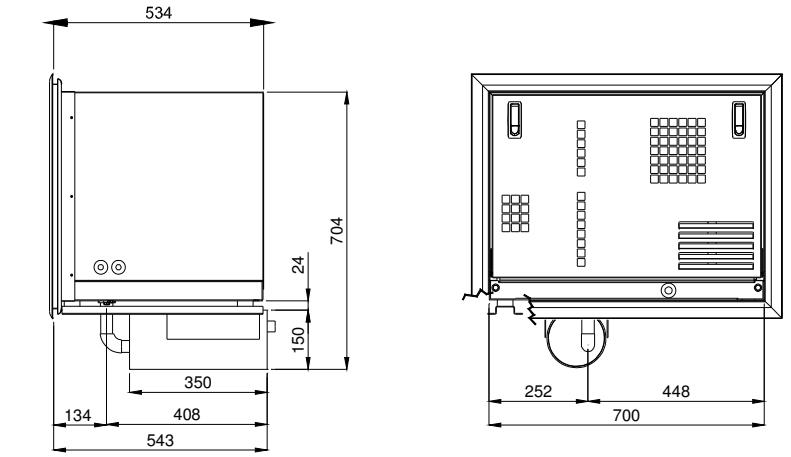
Max. power	5 kW
Rated power	4,2 kW
Power factor ( cos $\phi$ )	1

Dimension (L x W x H)	700 x 535 x 530
Weight	145 Kg.
Noise level	64 dB <sub>A</sub> a 7mt

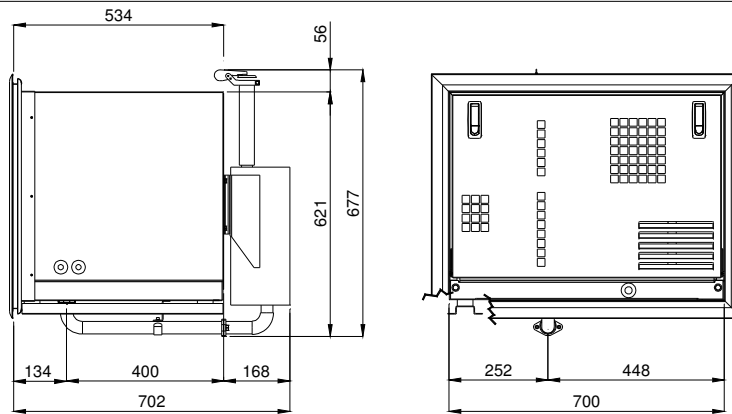
# MG 5010 DM



## Built-in installation

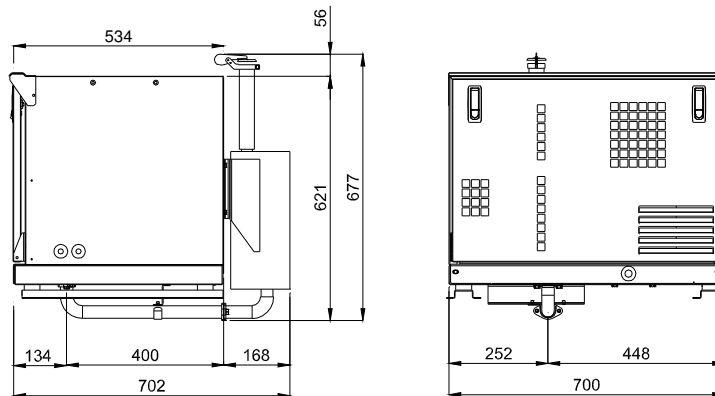


a) Bottom exhaust

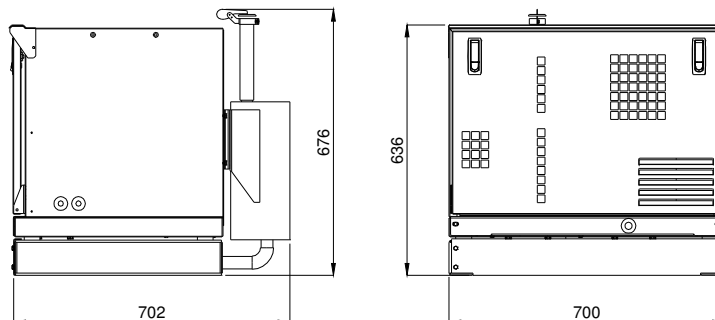


b) Rear exhaust

## External installation

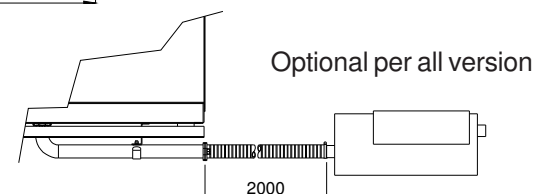


c) Rear exhaust with canopy's brackets



d) Rear exhaust with basement

Location:



Optional per all version

**GENSET** S.p.A. reserves the right to change the design or specifications without notice and without any obligations or liability whatsoever. For more information, you may contact your local **GENSET** dealer.