



RL4000

Light Tower

LIGHT TOWER
RL4000



Light Tower RL4000

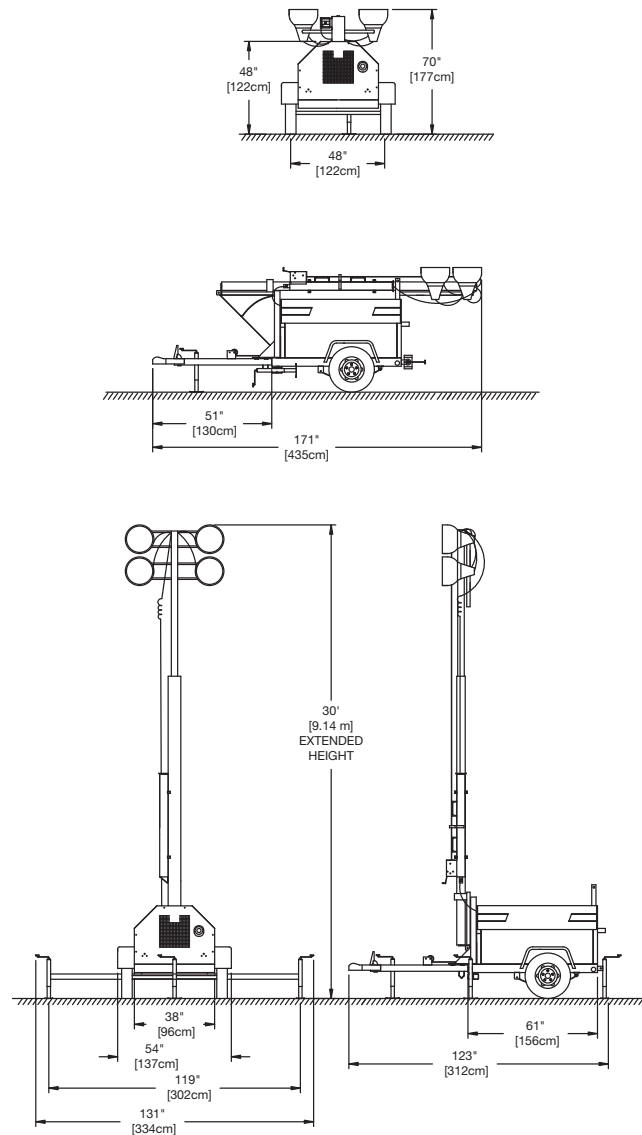
Features

- Dual self-braking winch design for fast and easy tower erection and extension.
- 30 ft (almost 10 m) light height at full extension for excellent illumination at long distances.
- 360 degree tower rotation to provide pin-point light positioning at your work site.
- 4,000 Watts of light - enough to illuminate 7-1/2 acres.
- Quiet 71 dBA sound levels at 23 feet (7 m).
- Excellent fuel economy providing up to 60 hours of run time per tank of fuel.
- Maintenance-friendly electrical assemblies make troubleshooting, service and repair a breeze.
- 3 cylinder diesel engine powers a brushless self regulated type generator.
- Centerpoint lifting bracket and fork lift pockets make transport easy.
- Compact design allows up to 10 units per truck load.
- Engine protection includes high water temperature and low oil pressure shutdowns.
- Cabinet is protected with a durable, fade resistant, polyester powder coat finish.

Specifications

Lamps	Metal halide 4 x 1,000 W
Generator	Brushless 60 Hz, 6.0 kW
Engine	Kubota diesel 13.6 hp
Fuel capacity	30 gal (114 L)
Wheel size	13" (33 cm)
Axle rating	2,000 lbs (907 kg)
Tongue weight travel position	130 lbs (59 kg)
Total weight no fuel	1,760 lbs (798 kg)

Dimensions



Genie Industries, Inc.

A Terex Company

18340 NE 76th Street
PO Box 97030
Redmond, WA 98073-9730

TEL +1 (425) 881-1800
TOLL FREE +1 (800) 536-1800
PARTS & TECH SUPPORT +1 (800) 228-6444
FAX +1 (425) 883-3475
WEB www.genieindustries.com

For more information, product demonstration, or details on purchase, lease and rental plans, please contact your local Genie distributor.